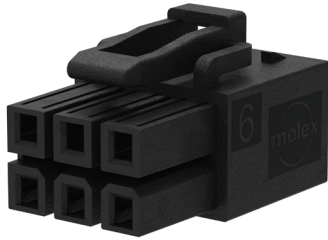


Mini-Fit Max Connector >

Transcending mid-power connector products, the Mini-Fit Max wire-to-board connector provides 20.5A of current in a compact package and features a robust tangless terminal design with a TPA capable receptacle

FEATURES AND ADVANTAGES



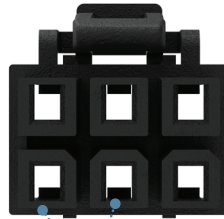
94/V-O Glow-wire combination resin

Reduces the cost of materials and labor, and allows customers to meet the European standard for electrical requirements



Four Independent points of contact

Offer redundant, secondary current paths for long-term performance and reliability

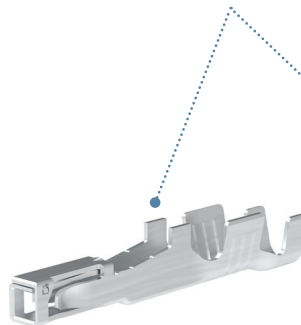


Keying and polarization

Helps prevent mis-mating; different from the standard Mini-Fit connector

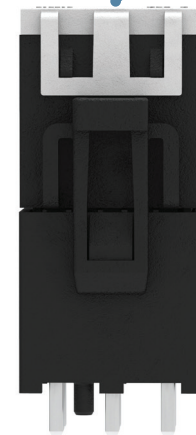
TPA stop

Helps ensure that terminals are fully seated in their housing to reduce terminal backout



Optional TPA with TPA stop

Helps ensure that terminals are fully seated in housing to reduce terminal backout



Slim profile design

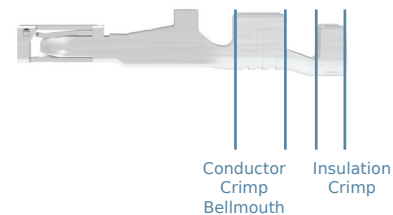
Saves PCB space

End-to-End Stackable

Delivers more power per linear inch and square millimeter than other mid-range power connectors

Tangless terminal

Provides safety for the terminals during packing and assembly insertion



Single-Row Options

Available in circuit sizes 2 to 6

Mini-Fit Max Connector >

APPLICATIONS

Telecommunications/Networking

Switches
Servers
Power supplies and distribution
Network towers

Industrial

Machinery
Commercial equipment
Commercial lighting
Industrial HVAC systems

Home Appliance

Heaters and air conditioners
Washers and dryers

Commercial Vehicle

Power converters
Unsealed electronic control modules
Transportation trucks



Industrial Machinery



Transportation Truck



Network Tower

SPECIFICATIONS

Reference Information

Packaging: Reference Molex.com Spec. Part Number
UL File No.: Reference the Product Specification
CSA File No.: Reference the Product Specification
Mates With:
Series: 212514 Series: 212520
Series: 212515 Series: 212514
Series: 212516 Series: 212514
Use With: See "Mates With" above
Terminal Used: 212515
Designed In: Millimeters
RoHS: Yes
Halogen Free: Yes
Glow-Wire Capable: Yes

Electrical

Voltage (max.): 600V
Current (max.): 20.5A
Contact Resistance: 2 mΩ
Dielectric Withstanding Voltage: No Breakdown
Current leakage: <5mA
Insulation Resistance: 1,000 MΩ minimum

Mechanical

Contact Retention to Housing: 40.0N
Mating Force: 6.0N
Unmating Force: 4.0N
Durability (min.): 20 cycles

Physical

Housing: UL 94V-0/Glow Wire
Pitch: 4.20mm
Contact: Tin (Sn)
Plating:
Contact Area — Tin (Sn)
Solder Tail Area — Tin (Sn)
Underplating — Nickel (Ni)
PCB Thickness: Multiple options
Operating Temperature: -40 to +105°C

www.molex.com/link/minifitmax.html