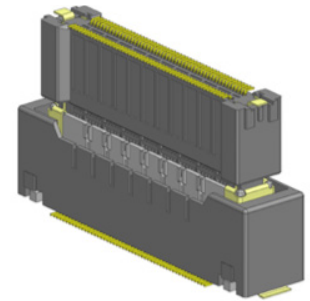


High-Speed 0.50mm-Pitch Floating Board-to-Board Connector >

With a small footprint, data rates up to 20 Gbps and a robust and clean design, the Molex High-Speed 0.50mm-Pitch Floating Board-to-Board Connector is ideal for electronic control units (ECUs) and domain control units (DCUs) in advanced driver assistance systems (ADASs) and autonomous driving (AD) applications

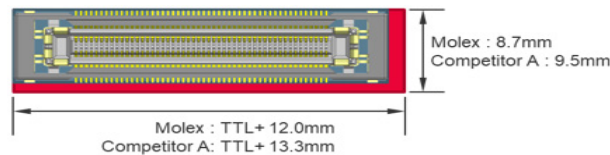


Mated High-Speed 0.50mm-Pitch Floating Board-to-Board Connector

FEATURES AND ADVANTAGES

A footprint of 215.30mm²

Delivers one of the smallest footprints in the market. Mitigates space constraints on PCBs

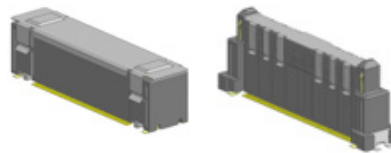


Up to 20 Gbps data rate

Provides faster data speeds than PCIe 4. Offers low latency performance

Mating Guide

Makes mating easier and potentially lowers the risk of mis-mating



Full terminal covers

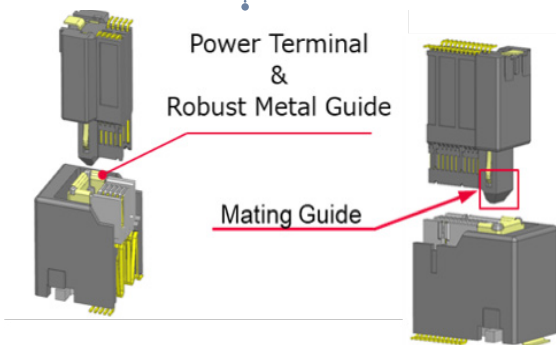
Keeps dirt and debris away from terminals to ensure reliable connectivity

Wide floating range

Offers $\pm 0.60\text{mm}$ float in the x axis, $\pm 0.80\text{mm}$ in the y axis and $\pm 0.80\text{mm}$ in the z axis. Facilitates automated assembly

Stack height from 16.00 to 32.00mm and from 60 to 200 circuits

Delivers design flexibility



MARKETS AND APPLICATION

Automotive

Electronic control units (ECUs)
Digital control units (DCUs)
Advanced-driver assistance systems (ADAS)



ADAS Applications



Driver Safety Features

High-Speed 0.50mm-Pitch Floating Board-to-Board Connector >

TARGET SPECIFICATIONS

Features	Items	Specifications
Environmental	Classification	LV214
	Temp. classification	-40 to 125°C
Mechanical	Floating / rigid side size	8.70 by 42.10mm (60 Circuits)
	Floating (X, Y, Z)	+/- 0.80mm (X, Y axes), +/- 0.60mm (Z axis)
	Alignment	+/- 1.30mm
Electrical	Rated voltage	12V / 0.5A
	Rated current	100V / 3.0A
	Data type and rate	16 Gbps
	Dust-proof design	Full terminal covers
Configuration	Pitch	0.50mm
	Circuits	60 / 80 / 120 / 160 / 200
	Stacking height	16.00 / 18.00 / 20.00 / 22.00 / 30.00mm

Note: Molex reserves the right to delay or cancel production of the depicted product without additional notice. Please contact your Molex customer service representative for product availability.

www.molex.com/link/highspeedbtob.html