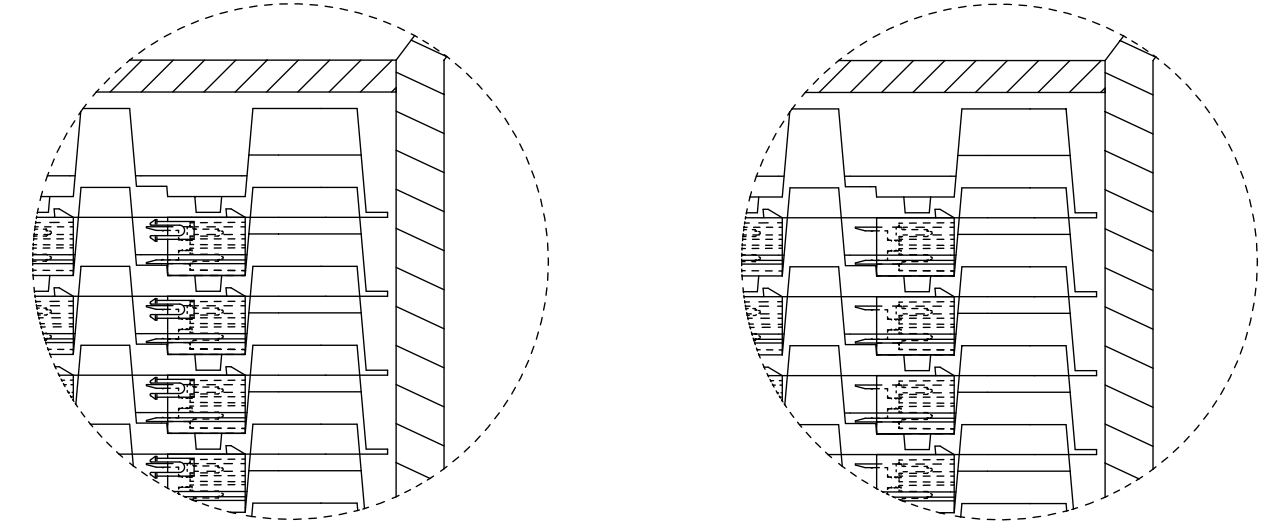
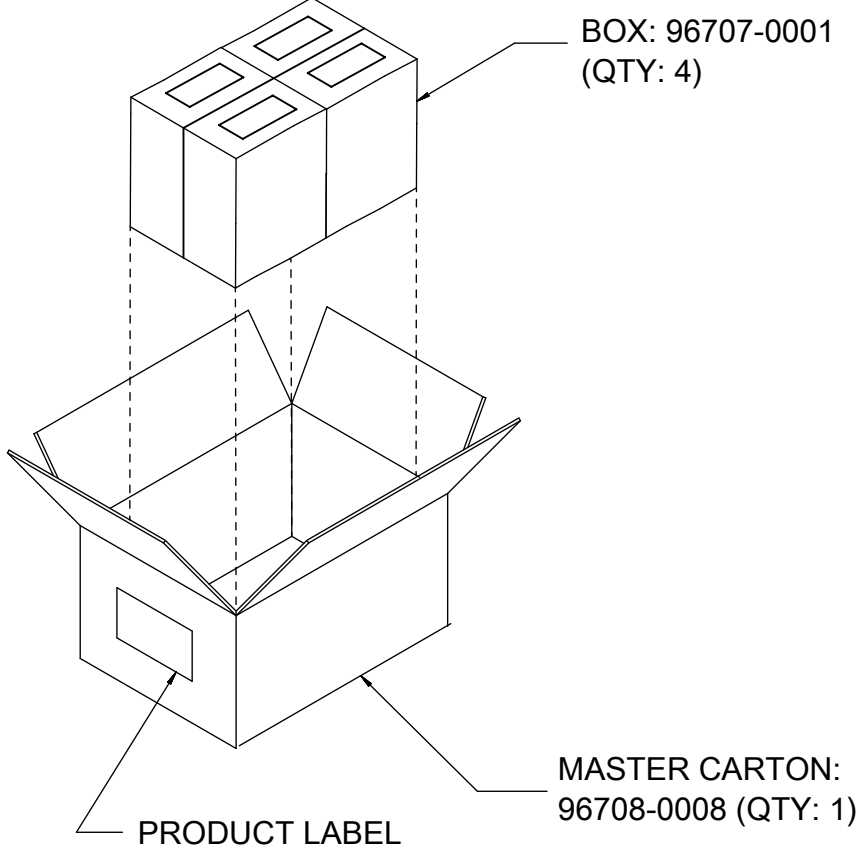
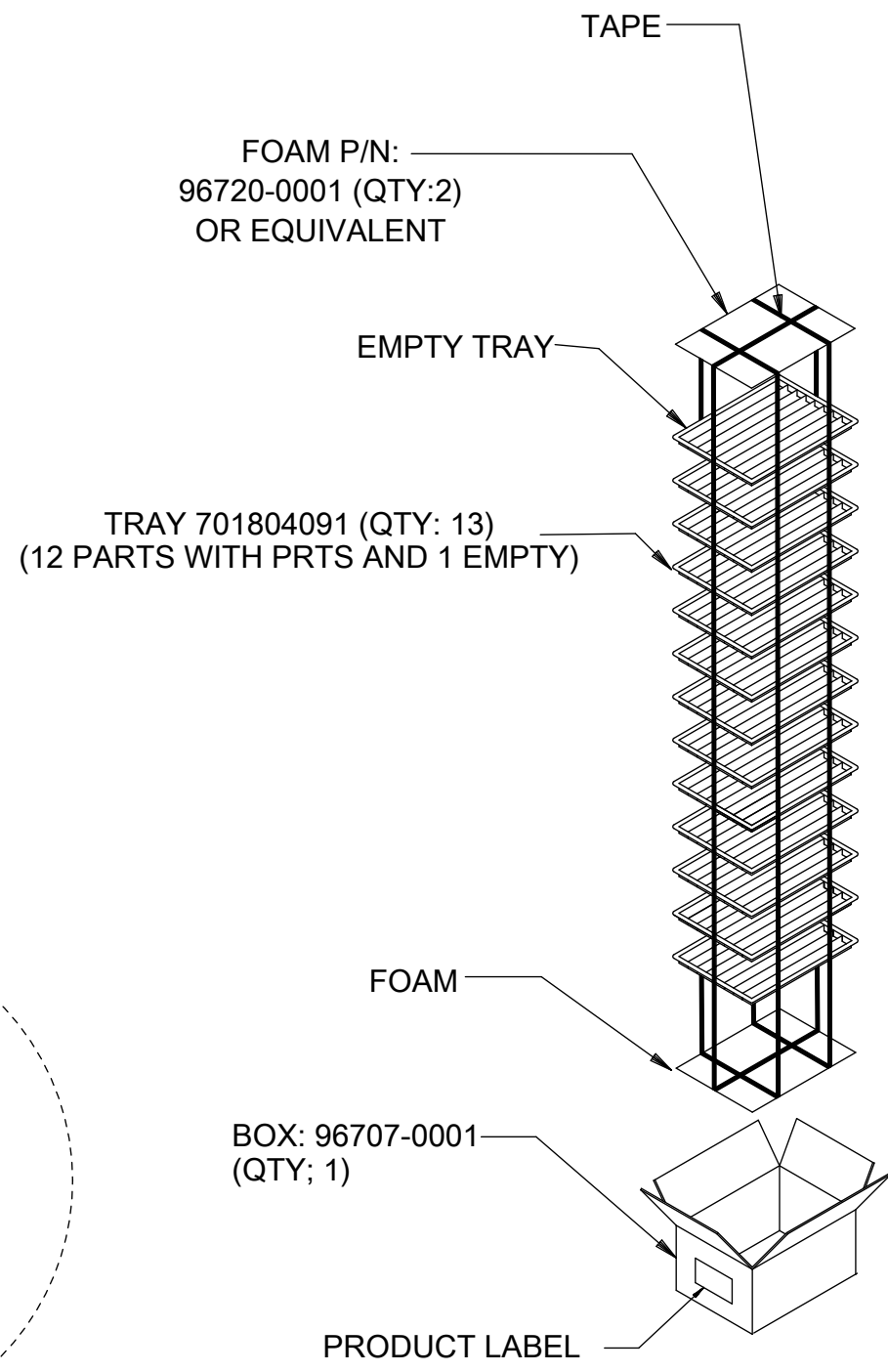
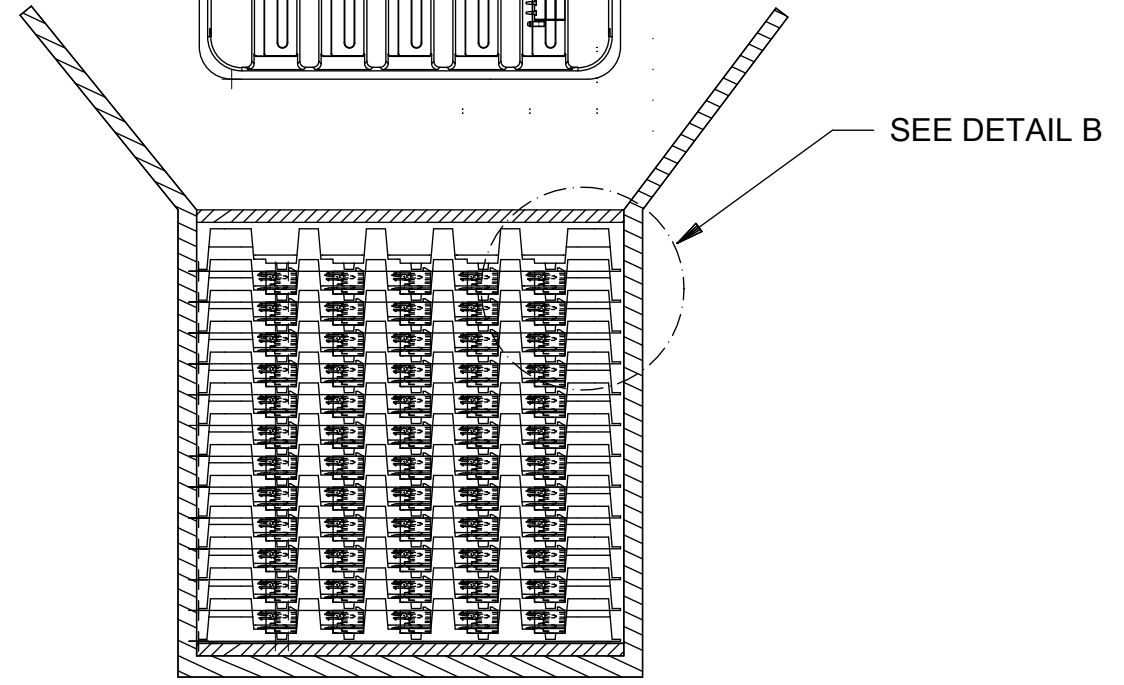


PARTS WITH PEGS PARTS WITHOUT PEGS

DETAIL A



PARTS WITH PEGS PARTS WITHOUT PEGS

DETAIL B

NOTES:
 1. THIS PACKAGING SPECIFICATION IS FOR DUAL ROW ASSEMBLIES ONLY, SERIES #5566, 44472, 46015, 172675, 172447, 42382, 43588, 43460, 46216.

HEADER WITH PEGS			
NO OF CKTS	PARTS PER TRAY	PARTS PER BOX	STD. PACK QUANTITY PER MASTER CARTON
2	140	1680	6720
4	100	1200	4800
6	80	960	3840
8	65	780	3120
10	55	660	2640
12	50	600	2400
14	45	540	2160
16	40	480	1920
18	35	420	1680
20	30	360	1440
22	30	360	1440
24	25	300	1200

HEADER WITHOUT PEGS			
NO OF CKTS	PARTS PER TRAY	PARTS PER BOX	STD. PACK QUANTITY PER MASTER CARTON
2	280	3360	13440
4	160	1920	7680
6	115	1380	5520
8	85	1020	4080
10	70	840	3360
12	60	720	2880
14	50	600	2400
16	45	540	2160
18	40	480	1920
20	35	420	1680
22	30	360	1440
24	30	360	1440

FUNCTIONAL SYMBOLS FA = 0 EC = 0 EP = 0	THIS DRAWING CONTAINS INFORMATION THAT IS PROPRIETARY TO MOLEX ELECTRONIC TECHNOLOGIES, LLC AND SHOULD NOT BE USED WITHOUT WRITTEN PERMISSION		<p>molex</p> <p>PACKAGING SPECIFICATION MINI-FIT JR DUAL ROW 5566 SERIES</p>	
	DIMENSION UNITS: mm	SCALE: 1:1		
DIVISIONAL SYMBOLS	GENERAL TOLERANCES (UNLESS SPECIFIED)		EC NO: 699749	
	ANGULAR TOL ± 0.5°		DRWN: VISHNM2	2022/03/07
4 PLACES ±	DRWN: AD RATNOL		CHK'D: SAMEES	2022/03/15
	DRWN: JCOMERCI		APPR: ISHWARG	2022/03/18
3 PLACES ±	INITIAL REVISION:		DOCUMENT NUMBER: PK-5566-001	
2 PLACES ±	DRWN: AD RATNOL		DOC TYPE: PDD	DOC PART: 001
1 PLACE ±	APPR: JCOMERCI		SHEET NUMBER: 1 OF 1	REVISION: E1
0 PLACES ±	DRAFT WHERE APPLICABLE MUST REMAIN WITHIN DIMENSIONS	THIRD ANGLE PROJECTION	DRAWING: C-SIZE	SERIES: 5566