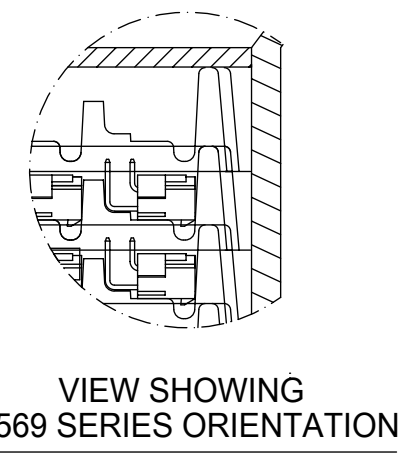
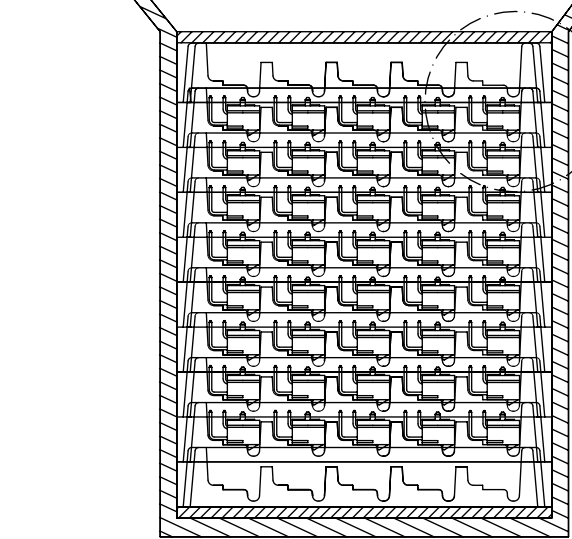
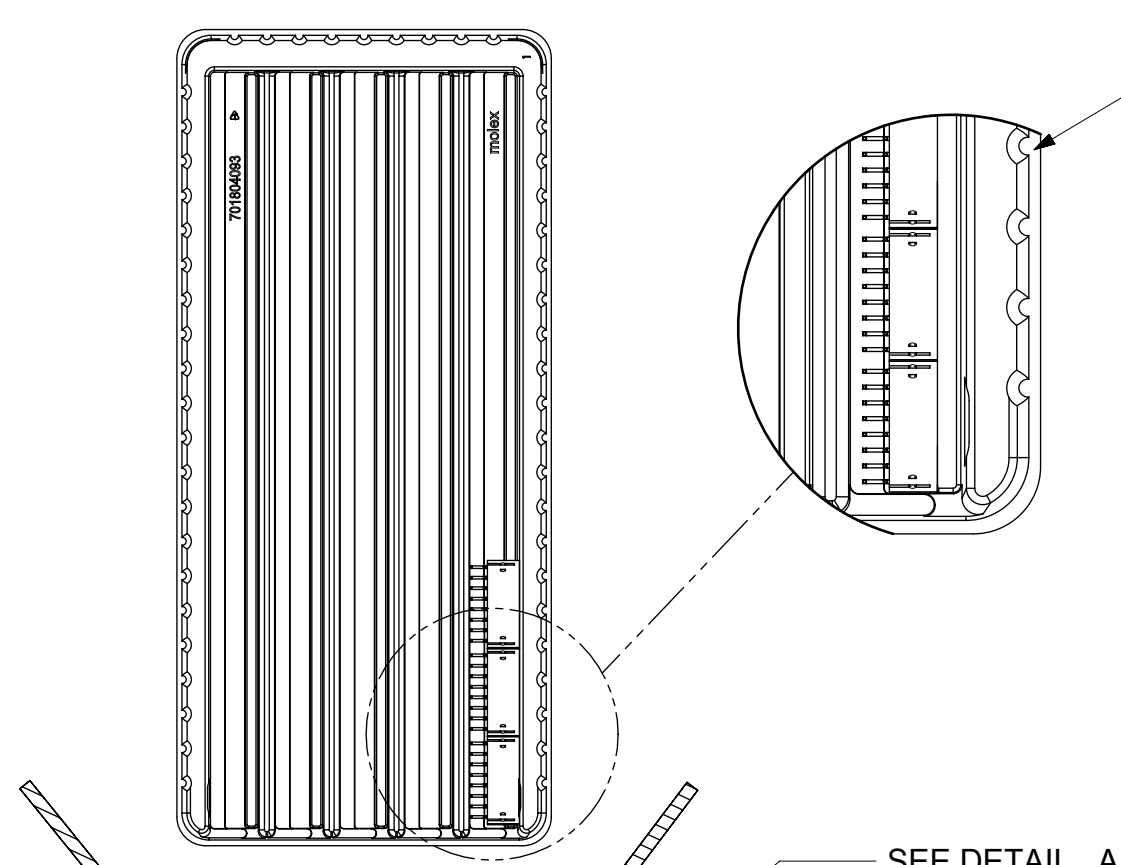


NO OF CKTS	PARTS PER TRAY	PARTS PER BOX	STD. PACK QUANTITY PER MASTER CARTON
2	285	2280	9120
4	165	1320	5280
6	115	920	3680
8	85	680	2720
10	70	560	2240
12	60	480	1920
14	50	400	1600
16	45	360	1440
18	40	320	1280
20	35	280	1120
22	30	240	960
24	30	240	960



DETAIL A
N.T.S

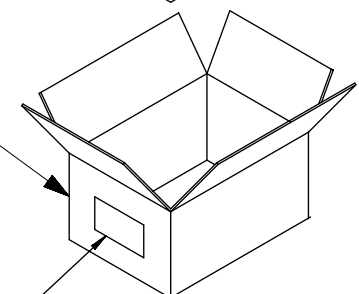
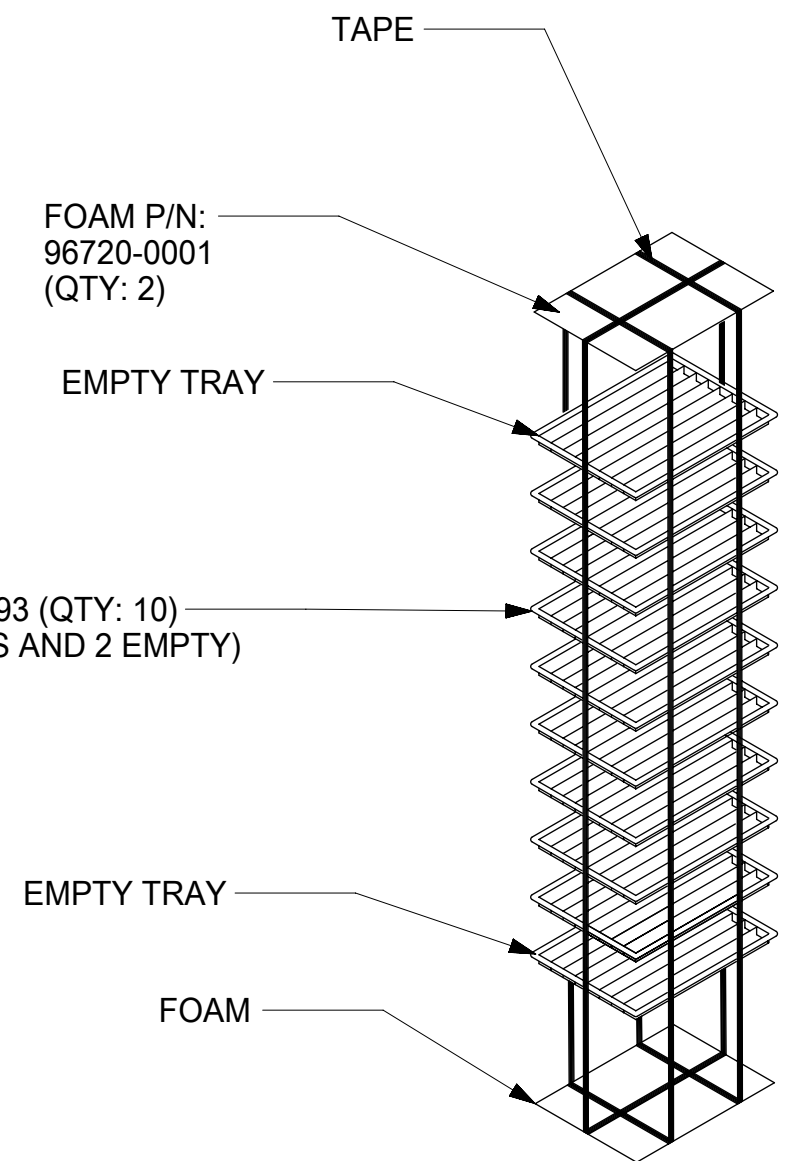
PARTS TO BE ORIENTED IN TRAYS AS SHOWN

SEE DETAIL A

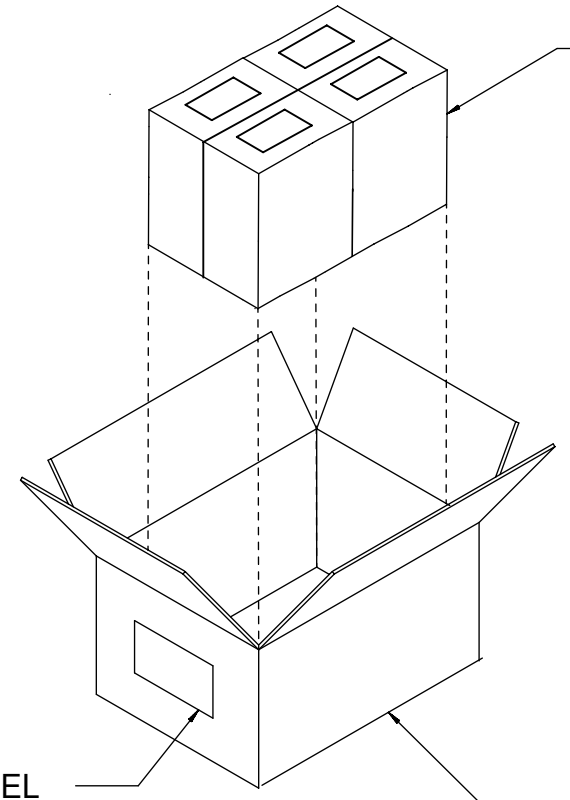
TRAY 701804093 (QTY: 10)
(8 WITH PARTS AND 2 EMPTY)

BOX: 96707-0001 (QTY: 1)
OR
BOX: 96707-1001 (QTY: 1)

PRODUCT LABEL



PRODUCT LABEL



BOX: 96707-0001 (QTY: 4)
OR
BOX: 96707-1001 (QTY: 4)

MASTER CARTON:
96708-0008 (QTY: 1)

NOTES:
1. PACKAGING SPECIFICATION IS FOR TRAY PACKAGING OF THE FOLLOWING FAMILY SERIES
42677, 44130, 45586, 46611, 46991, 5569, 172448
FOR PARTS WITH PEGS OR NO PEGS. NOT FOR PARTS WITH FLANGES

FUNCTIONAL SYMBOLS $\nabla_A = 0$ $\nabla_C = 0$ $\nabla_P = 0$	THIS DRAWING CONTAINS INFORMATION THAT IS PROPRIETARY TO MOLEX ELECTRONIC TECHNOLOGIES, LLC AND SHOULD NOT BE USED WITHOUT WRITTEN PERMISSION		molex PACKAGING SPECIFICATION MINI-FIT JR. DUAL ROW RIGHT ANGLE HEADER ASM. PACKAGING DESIGN DRAWING	
	DIMENSION UNITS: HYBRID SCALE: 1:1	CURRENT REV DESC: INNER BOX ORIENTATION CHANGE		
	GENERAL TOLERANCES (UNLESS SPECIFIED) ANGULAR TOL $\pm 0.5^\circ$	4 PLACES \pm 3 PLACES \pm 2 PLACES \pm 1 PLACE \pm 0 PLACES \pm	2022/03/07 2022/03/15 2022/03/18	DOCUMENT NUMBER: PK-5569-003 DOC TYPE: PDD DOC PART: 001 REVISION: B1
	DRAFT WHERE APPLICABLE MUST REMAIN WITHIN DIMENSIONS	THIRD ANGLE PROJECTION	DRAWING: C-SIZE SERIES: 5569	MATERIAL NUMBER: SEE TABLE CUSTOMER: GENERAL MARKET SHEET NUMBER: 1 OF 1