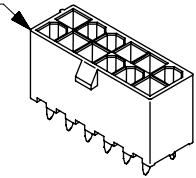
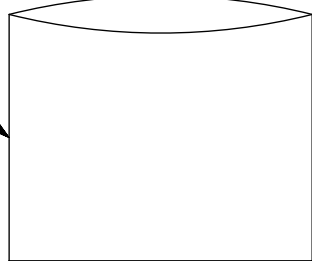


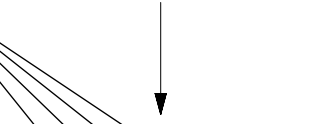
87427 VERTICAL HEADER



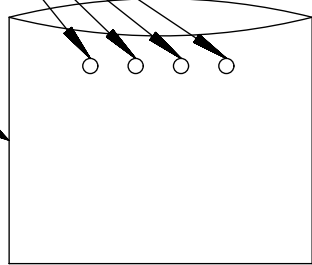
INNER POLYBAG
PART NO. SEE CHART
QTY 1



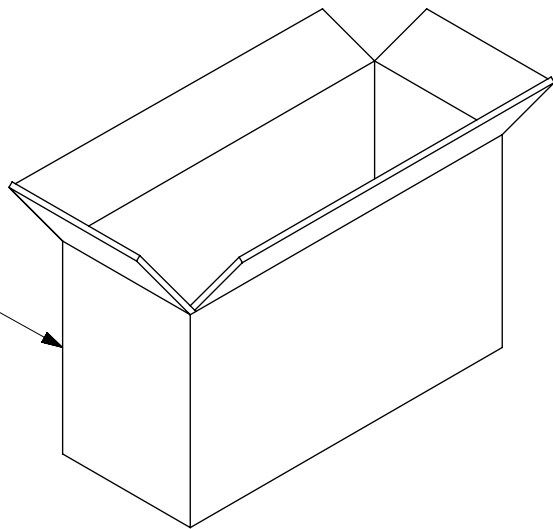
SILICA GEL BAG
PART NO. 36518-0109
QTY- 4
(INSIDE OUTER POLYBAG)



OUTER POLYBAG- HDPE
PART NO. SEE CHART
QTY 1



PRIMARY CARTON
PART NO: SEE CHART



POLYBAG TO BOX PACKAGING PROCESS

PRIMARY CARTON BOX P/N	QTY PER PRIMARY BOX	INNER & OUTER POLY BAGS/BOX	OUTER POLY BAG P/N	INNER POLY BAG P/N	QTY PER BAG	CKT SIZE
967070016	3000	10	365180153	967130002	300	2 CKT
967080017	3000	10	365180153	967130002	300	4 CKT
967080017	3000	10	365180153	967130002	300	6 CKT
967080017	2000	8	365180153	967130002	250	8 CKT
967080017	2000	8	365180153	967130002	250	10 CKT
967080017	1500	6	365180153	967130002	250	12 CKT
967080017	1500	6	365180153	967130002	250	14 CKT
967080017	1500	6	885960135	967130003	250	16 CKT
967080017	1000	5	885960135	967130003	200	18 CKT
967080017	1000	5	885960135	967130003	200	20 CKT
967080017	1200	8	885960135	967130003	150	22 CKT
967080017	1200	8	885960135	967130003	150	24 CKT

SYMBOLS ▽ = 0 ▽ = 0 ▽ = 0 ▽ = 0 ▽ = 0 ▽ = 0 ▽ = 0 ▽ = 0 ▽ = 0 ▽ = 0 ▽ = 0 ▽ = 0	THIS DRAWING CONTAINS INFORMATION THAT IS PROPRIETARY TO MOLEX ELECTRONIC TECHNOLOGIES, LLC AND SHOULD NOT BE USED WITHOUT WRITTEN PERMISSION DIMENSION UNITS: NTS SCALE: NTS CURRENT REV DESC: CARTON BOX CHANGE	 BULK PACKAGING SPEC FOR 87427 VERTICAL HEADER ASSEMBLIES PACKAGING DESIGN DRAWING
	EC NO: 613892 DRWN: VNANDAM 2019/03/01 CHK'D: DSTEIER 2019/03/15 APPR: FSMITH 2019/04/05	
	INITIAL REVISION: DRWN: SSUDHIR 2004/06/10 APPR: DGDATHAT 2004/06/23	
	DOCUMENT NUMBER: PK-87427-004 DOC TYPE: PDD DOC PART: 001 REVISION: D2	
	DRAFT WHERE APPLICABLE MUST REMAIN WITHIN DIMENSIONS THIRD ANGLE PROJECTION DRAWING: B-SIZE SERIES: 87427 MATERIAL NUMBER: GENERAL MARKET CUSTOMER: GENERAL MARKET SHEET NUMBER: 1 OF 1	