

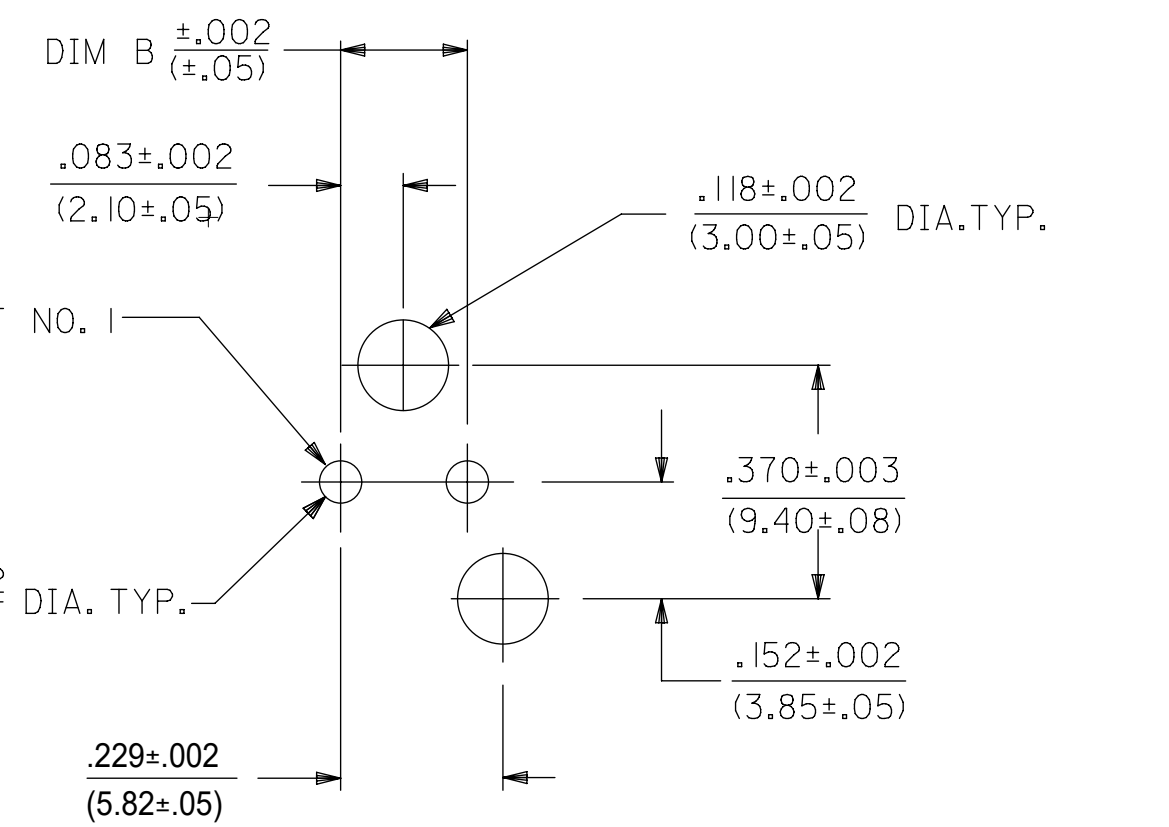
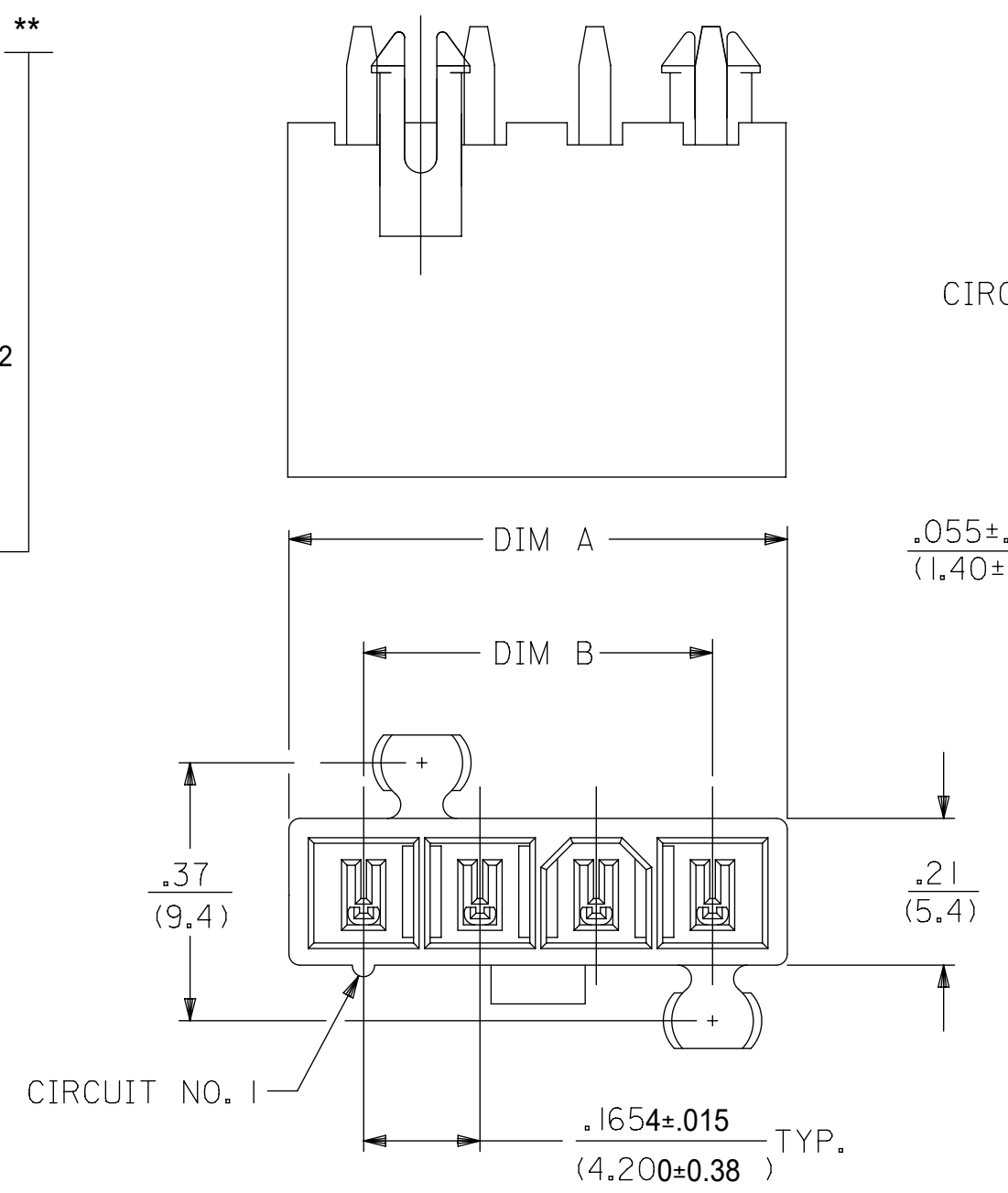
- NOTES:
- MATERIALS:**
HOUSING:
 NYLON, UL94 V-2, COLOR: SEE CHARTS, IEC 60335-1, 5th EDITION GLOW WIRE CAPABLE
 NYLON, UL94 V-0, COLOR: SEE CHARTS, IEC 60335-1, 5th EDITION GLOW WIRE CAPABLE
TERMINALS:
 BRASS
 - TERMINAL PLATING:**
 GOLD = .000030/(0.00076) MIN. SELECT GOLD AND .000100/(0.00254) MIN. SELECT MATTE TIN OVER .000050/(0.00127) MIN. NICKEL OVERALL
 TIN = .000100/(0.00254) MIN. MATTE TIN OVER .000050/(0.00127) MIN. NICKEL
 - PRODUCT SPECIFICATION:** PS-5556-001
 - PACKAGING:** TRAY PACKED PER PK-5566-002
 - PART MATES WITH MINI-FIT JR. RECEPTACLE NO. 46994.**
 - 5 CIRCUIT PARTS HAVE PEG DESIGN B. ALL OTHER CIRCUIT SIZES HAVE PEG DESIGN A.**
 - PART IS NOT DESIGNED FOR CURRENT SHARING.**
 - PARTS ARE NOT DESIGNED TO BE MATED OR UN-MATED WHILE CIRCUITS ARE LIVE.**
 - PART CONFORMS TO CLASS "B" REQUIREMENTS OF COSMETIC SPECIFICATION PS-45499-002 WITH THE EXCEPTION OF DISCOLORATION, FLASH AND SINK ON THE HOUSING MEET CLASS "C" REQUIREMENTS.**

172647 - * * **

PLATING
SEE NOTE 2
0 = TIN
1 = GOLD

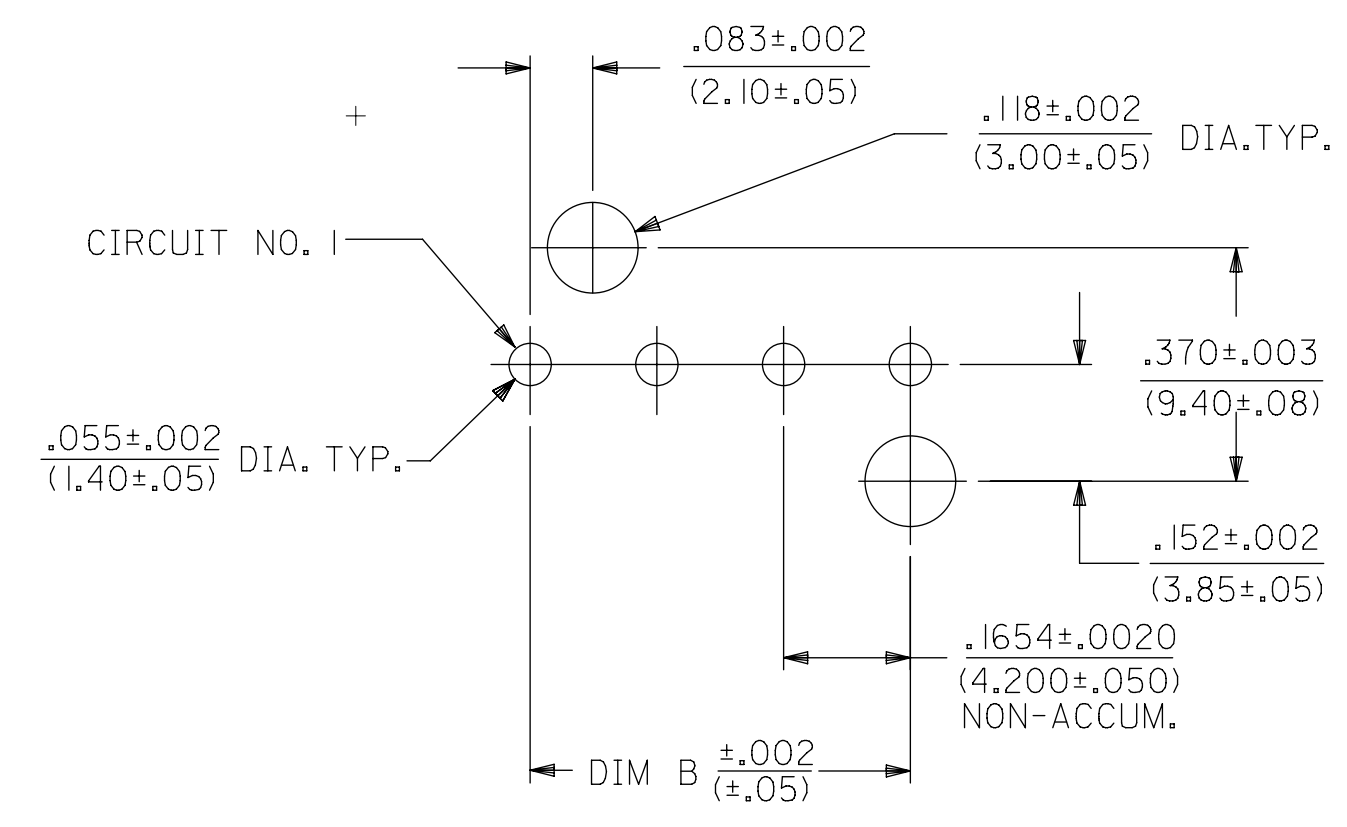
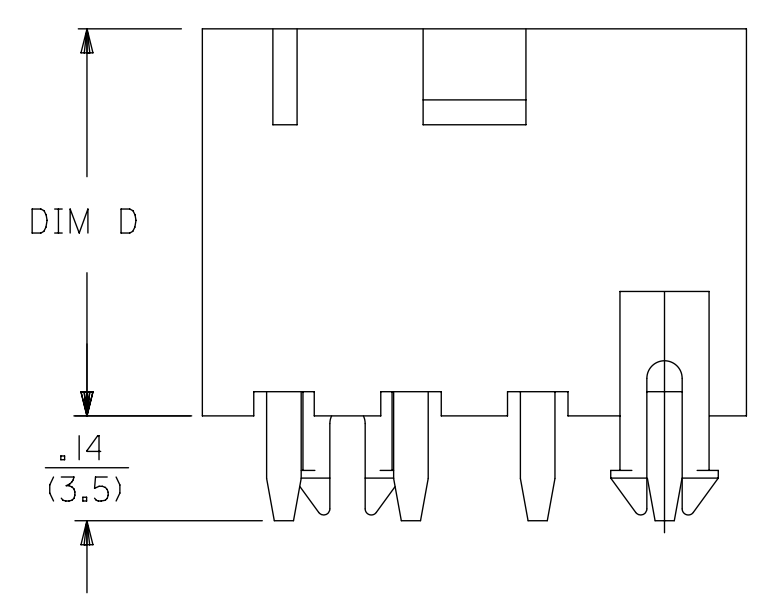
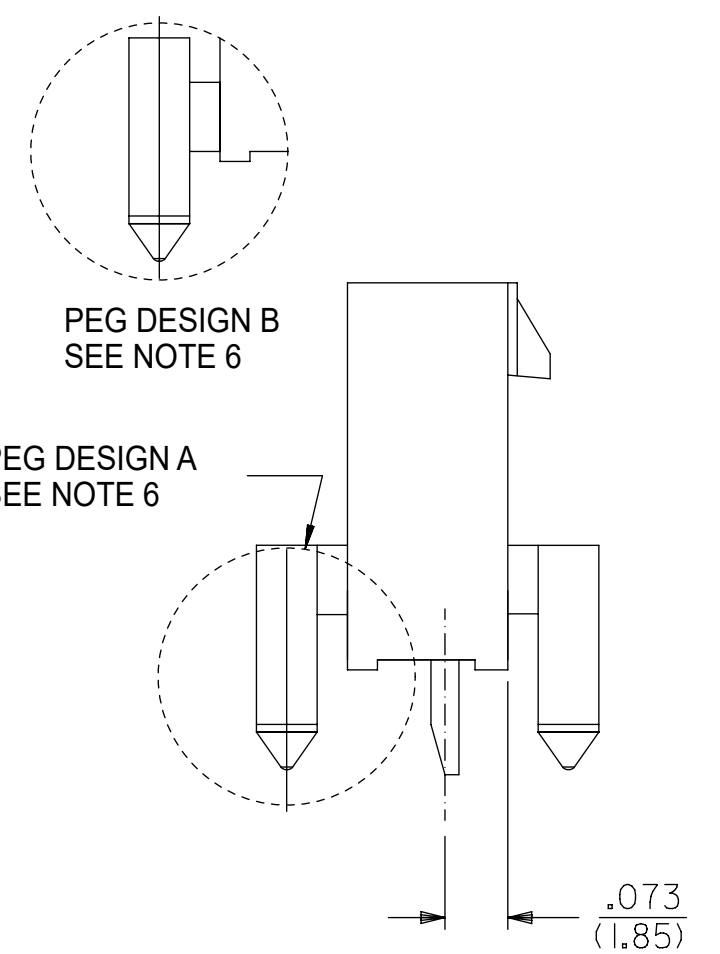
ASSEMBLY TYPE
0 = SINGLE ROW W/ PEGS
COLOR = NATURAL (BEIGE) /UL94 V-2
1 = SINGLE ROW W/ PEGS
COLOR = BLACK / UL94 V-2
2 = SINGLE ROW W/ PEGS
COLOR = BLACK / UL94 V-0

CIRCUIT SIZE



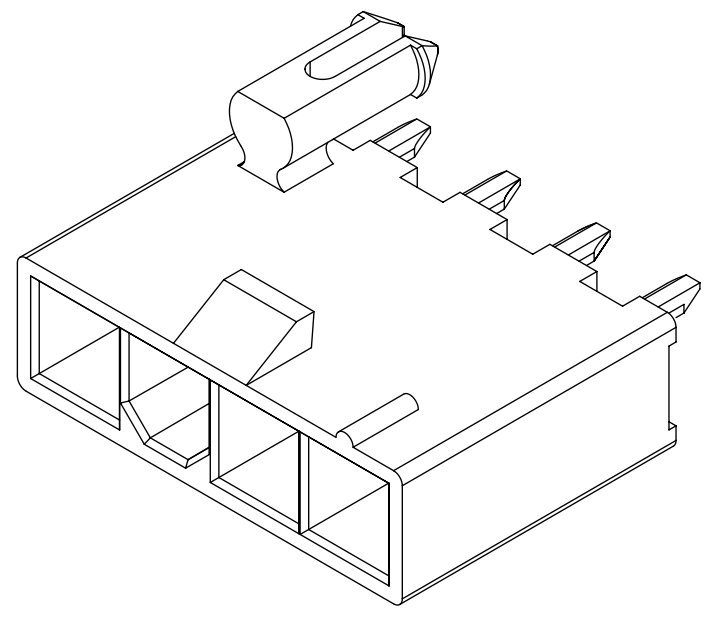
RECOMMENDED HOLE LAYOUT FOR
.070/(1.78) MAX. THICK P. C. BOARD
VIEWED FROM COMPONENT SIDE
2 CIRCUIT PARTS

PART NUMBER	CKT SIZE	PLATING SEE NOTE 2	COLOR
172647-0002	2	TIN	NATURAL(BEIGE) UL94V-2
172647-0003	3		
172647-0004	4		
172647-0005	5		
172647-0006	6		
172647-1002	2		
172647-1003	3		
172647-1004	4		
172647-1005	5		
172647-1006	6		
172647-0102	2	TIN	BLACK UL94 V-2
172647-0103	3		
172647-0104	4		
172647-0105	5		
172647-0106	6		
172647-1102	2		
172647-1103	3		
172647-1104	4		
172647-1105	5		
172647-1106	6		
172647-0202	2	TIN	BLACK UL94 V-0
172647-0203	3		
172647-0204	4		
172647-0205	5		
172647-0206	6		
172647-1202	2		
172647-1203	3		
172647-1204	4		
172647-1205	5		
172647-1206	6		



RECOMMENDED HOLE LAYOUT FOR
.070/(1.78) MAX. THICK P. C. BOARD
VIEWED FROM COMPONENT SIDE
3-6 CIRCUIT PARTS

CKT SIZE	DIM A	DIM B	DIM D
2	.38 (9.6)	.165 (4.20)	.50 (12.8)
3	.54 (13.8)	.331 (8.40)	.49 (12.5)
4	.71 (18.0)	.496 (12.60)	.50 (12.8)
5	.87 (22.2)	.661 (16.80)	.50 (12.8)
6	1.04 (26.4)	.827 (21.00)	.50 (12.8)



THIS DRAWING CONTAINS INFORMATION THAT IS PROPRIETARY TO MOLEX ELECTRONIC TECHNOLOGIES, LLC AND SHOULD NOT BE USED WITHOUT WRITTEN PERMISSION

DIMENSION UNITS INCH/MM	SCALE NTS	CURRENT REV DESC:	molex			
GENERAL TOLERANCES (UNLESS SPECIFIED)						
ANGULAR TOL ± 0.5°		EC NO: 777582	MINI-FIT VERT HDR ASSY W/ PEGS SINGLE ROW			
4 PLACES ±		DRWN: JERRYW8 2024/02/20				
3 PLACES ±		CHK'D: XQZHANG 2024/02/22	PRODUCT CUSTOMER DRAWING			
2 PLACES ± 0.38		APPR: XQZHANG 2024/02/22				
1 PLACE ± 0.5		INITIAL REVISION:	DOCUMENT NUMBER	DOC TYPE	DOC PART	REVISION
0 PLACES ±		DRWN: NNGUYEN 2014/04/22	SD-172647-0000	PSD	001	A4
		APPR: FSMITH 2014/05/16				
DRAFT WHERE APPLICABLE MUST REMAIN WITHIN DIMENSIONS	THIRD ANGLE PROJECTION	DRAWING	MATERIAL NUMBER	CUSTOMER	SHEET NUMBER	
		A2-SIZE	SEE CHART	GENERAL MARKET	1 OF 1	
		SERIES				
		172647				

DOCUMENT STATUS	RELEASE DATE