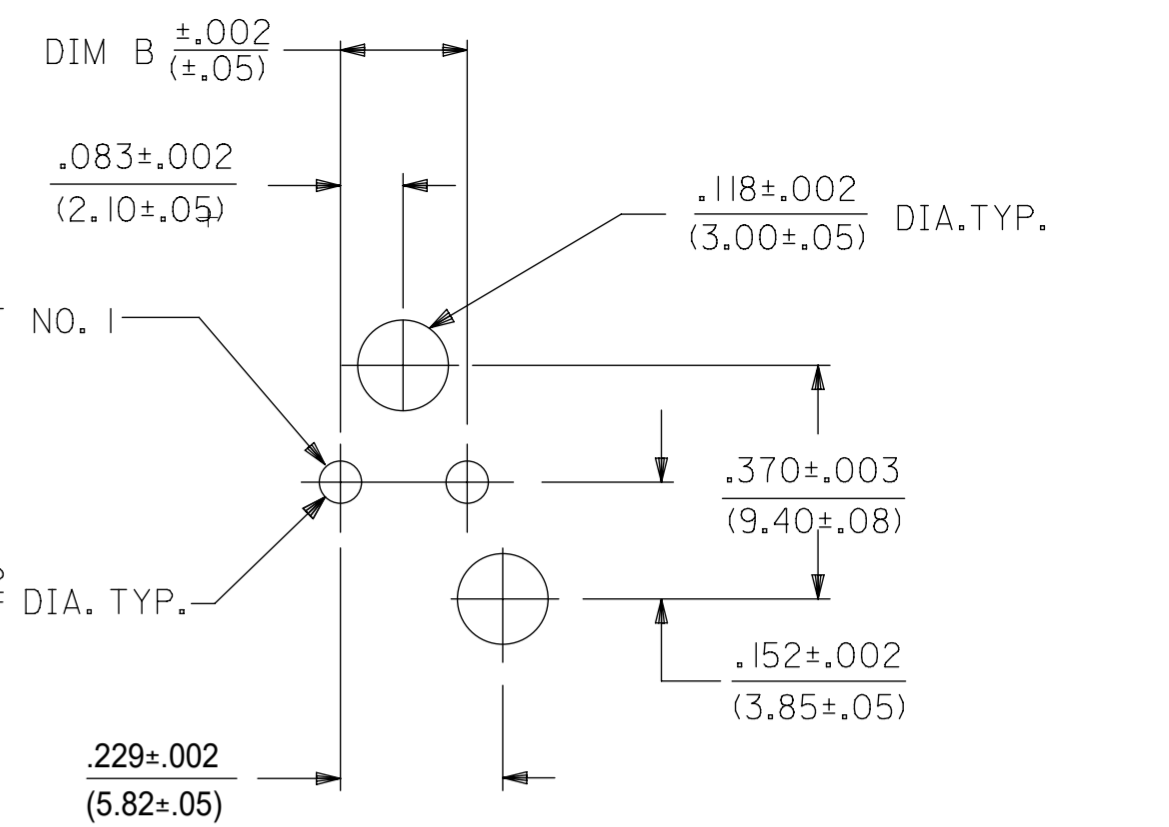
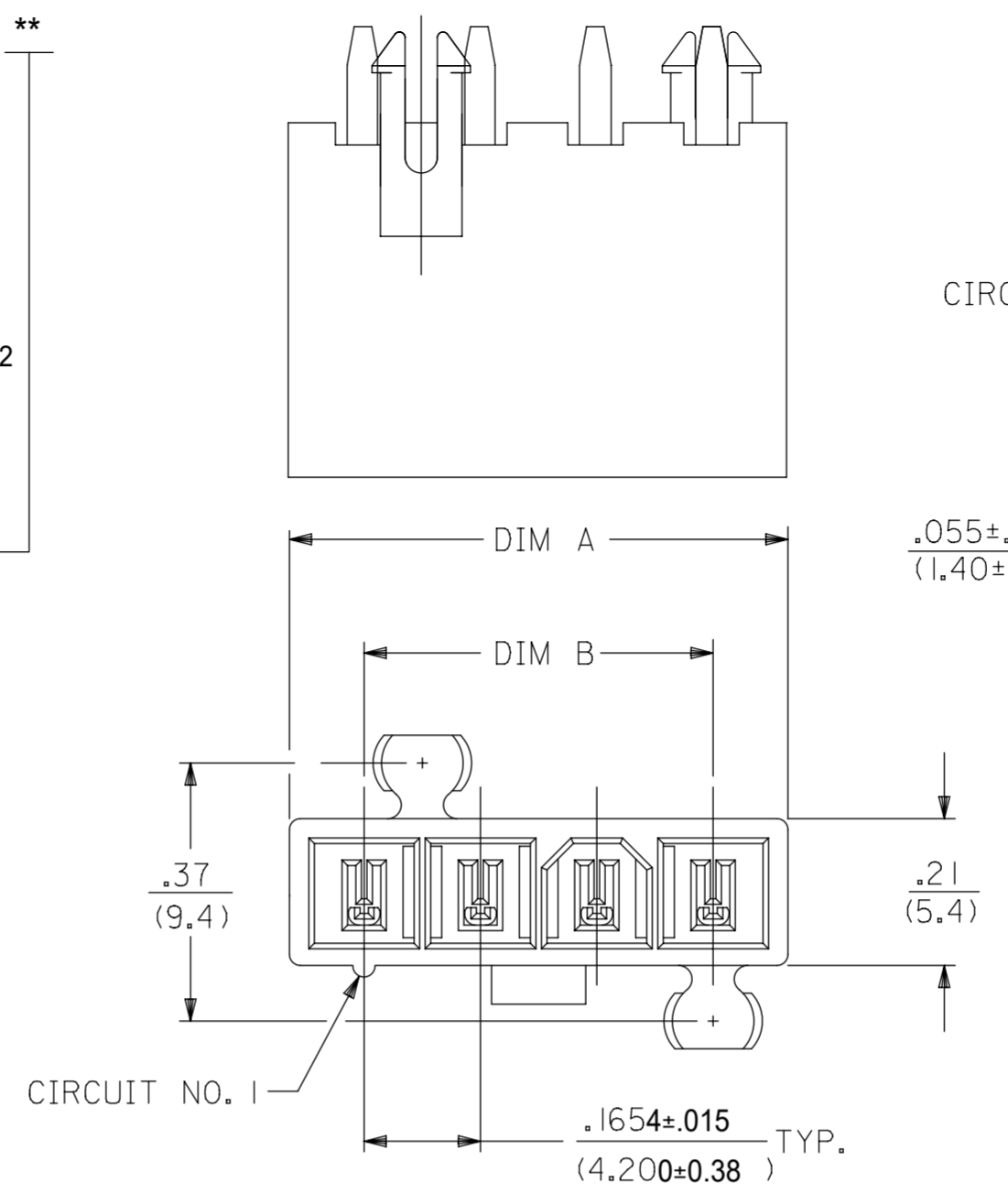


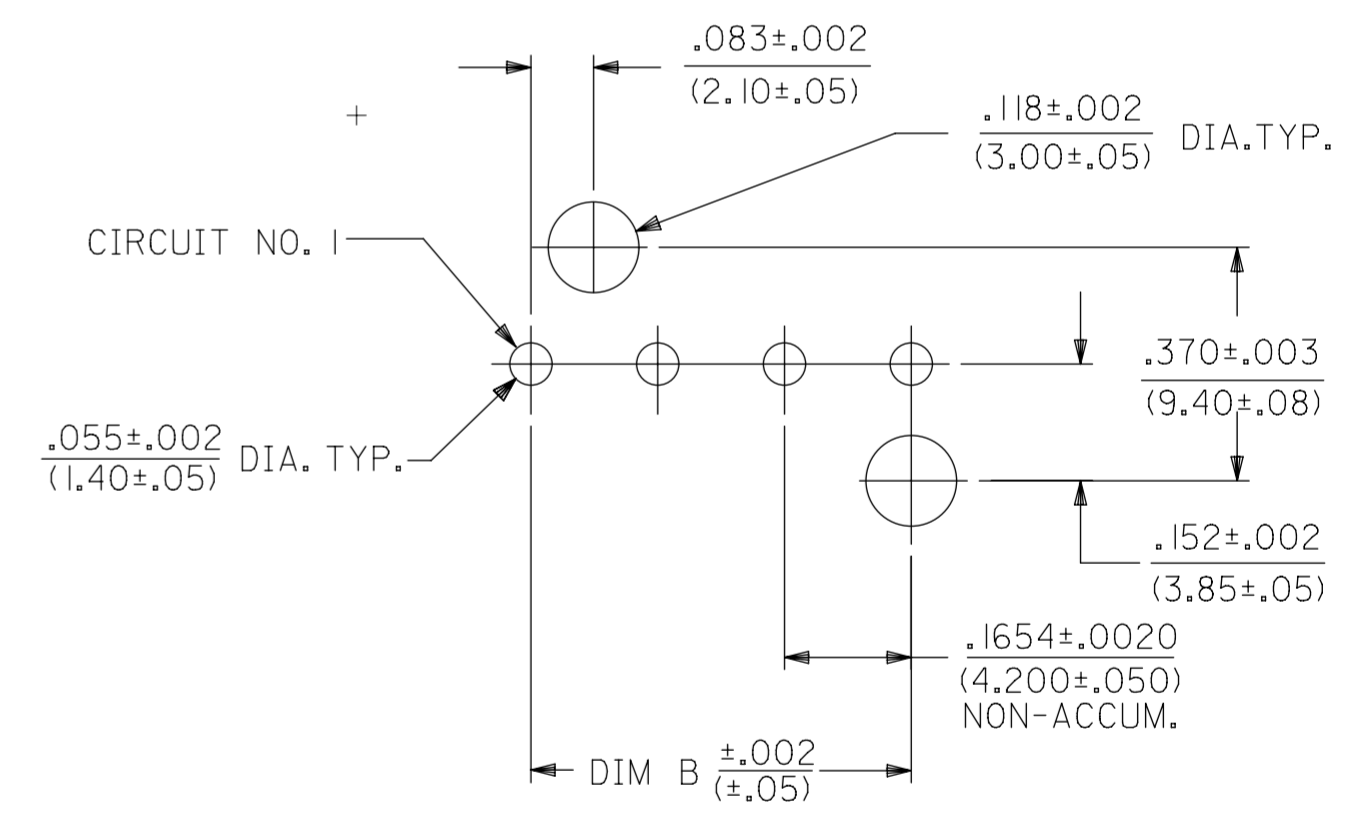
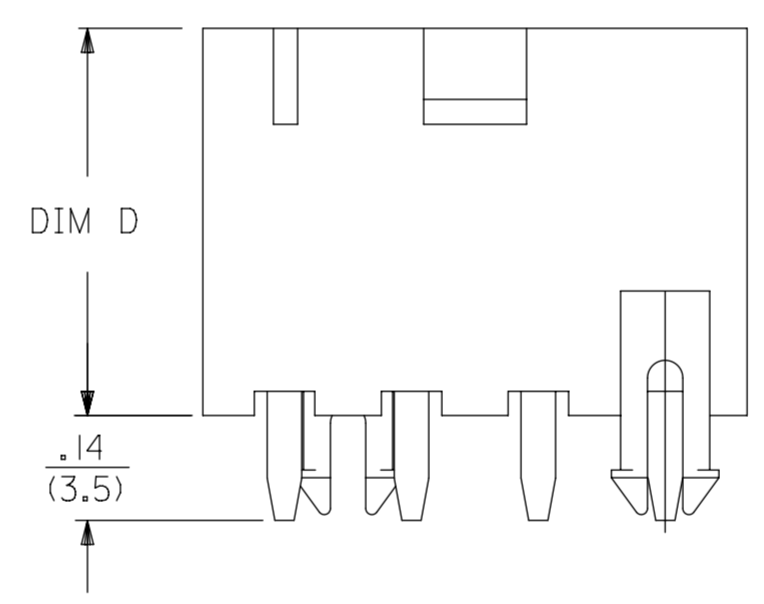
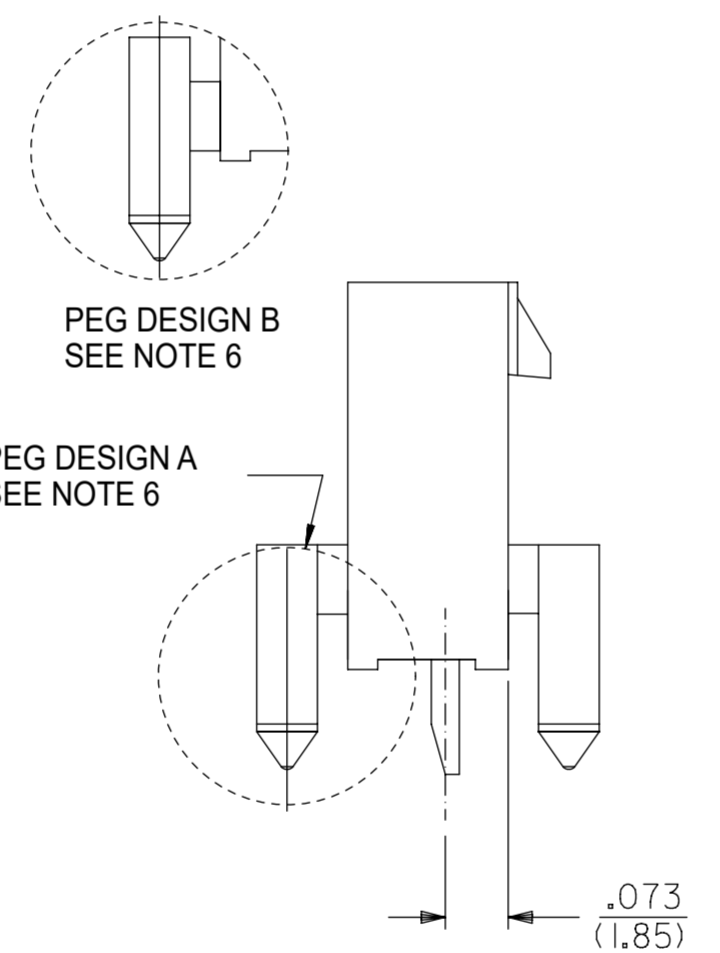
NOTES:
 1. MATERIALS:
 HOUSING:
 NYLON, UL94 V-2, COLOR: SEE CHARTS, IEC 60335-1,
 5th EDITION GLOW WIRE CAPABLE
 NYLON, UL94 V-0, COLOR: SEE CHARTS, IEC 60335-1,
 5th EDITION GLOW WIRE CAPABLE
 TERMINALS:
 BRASS
 2. TERMINAL PLATING:
 GOLD = .000030/(0.00076) MIN. SELECT GOLD AND
 .000100/(0.00254) MIN. SELECT MATTE TIN OVER
 .000050/(0.00127) MIN. NICKEL OVERALL
 TIN = .000100/(0.00254) MIN. MATTE TIN OVER
 .000050/(0.00127) MIN. NICKEL
 3. PRODUCT SPECIFICATION: PS-5556-001
 4. PACKAGING: TRAY PACKED PER PK-5566-002
 5. PART MATES WITH MINI-FIT JR. RECEPTACLE NO. 46994.
 6. 5 CIRCUIT PARTS HAVE PEG DESIGN B. ALL OTHER CIRCUIT SIZES HAVE PEG DESIGN A.
 7. PART IS NOT DESIGNED FOR CURRENT SHARING.
 8. PARTS ARE NOT DESIGNED TO BE MATED OR UN-MATED WHILE CIRCUITS ARE LIVE.
 9. PART CONFORMS TO CLASS "B" REQUIREMENTS OF COSMETIC SPECIFICATION PS-45499-002 WITH THE
 EXCEPTION OF DISCOLORATION, FLASH AND SINK ON THE HOUSING MEET CLASS "C" REQUIREMENTS.

172647 - * * **
 PLATING
 SEE NOTE 2
 0 = TIN
 1 = GOLD
 ASSEMBLY TYPE
 0 = SINGLE ROW W/ PEGS
 COLOR = NATURAL (BEIGE) /UL94 V-2
 1 = SINGLE ROW W/ PEGS
 COLOR = BLACK / UL94 V-2
 2 = SINGLE ROW W/ PEGS
 COLOR = BLACK / UL94 V-0
 CIRCUIT SIZE



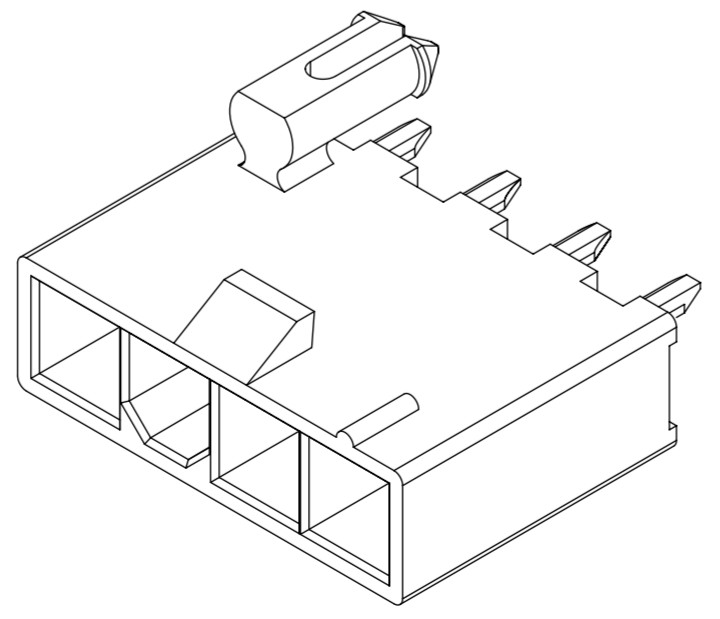
RECOMMENDED HOLE LAYOUT FOR
 .070/(1.78) MAX. THICK P. C. BOARD
 VIEWED FROM COMPONENT SIDE
 2 CIRCUIT PARTS

PART NUMBER	CKT SIZE	PLATING SEE NOTE 2	COLOR
172647-0002	2	TIN	NATURAL(BEIGE) UL94V-2
172647-0003	3		
172647-0004	4		
172647-0005	5		
172647-0006	6		
172647-1002	2		
172647-1003	3		
172647-1004	4		
172647-1005	5		
172647-1006	6		
172647-0102	2	TIN	BLACK UL94 V-2
172647-0103	3		
172647-0104	4		
172647-0105	5		
172647-0106	6		
172647-1102	2		
172647-1103	3		
172647-1104	4		
172647-1105	5		
172647-1106	6		
172647-0202	2	TIN	BLACK UL94 V-0
172647-0203	3		
172647-0204	4		
172647-0205	5		
172647-0206	6		
172647-1202	2		
172647-1203	3		
172647-1204	4		
172647-1205	5		
172647-1206	6		



RECOMMENDED HOLE LAYOUT FOR
 .070/(1.78) MAX. THICK P. C. BOARD
 VIEWED FROM COMPONENT SIDE
 3-6 CIRCUIT PARTS

CKT SIZE	DIM A	DIM B	DIM D
2	.38 (9.6)	.165 (4.20)	.50 (12.8)
3	.54 (13.8)	.331 (8.40)	.49 (12.5)
4	.71 (18.0)	.496 (12.60)	.50 (12.8)
5	.87 (22.2)	.661 (16.80)	.50 (12.8)
6	1.04 (26.4)	.827 (21.00)	.50 (12.8)



THIS DRAWING CONTAINS INFORMATION THAT IS PROPRIETARY TO MOLEX ELECTRONIC TECHNOLOGIES, LLC AND SHOULD NOT BE USED WITHOUT WRITTEN PERMISSION

DIMENSION UNITS	SCALE	CURRENT REV DESC:	molex				
INCH/MM	NTS						
GENERAL TOLERANCES (UNLESS SPECIFIED)			MINI-FIT VERT HDR ASSY W/ PEGS SINGLE ROW				
ANGULAR TOL ± 0.5°							
4 PLACES ±	EC NO: 777582	2024/02/20	PRODUCT CUSTOMER DRAWING				
3 PLACES ±	DRWN: JERRYW8	2024/02/22					
2 PLACES ± 0.38	CHK'D: XQZHANG	2024/02/22	DOCUMENT NUMBER				
1 PLACE ± 0.5	APPR: XQZHANG	2024/02/22					SD-172647-0000
0 PLACES ±	INITIAL REVISION:	2014/04/22	SEE CHART		PSD	001	A4
DRAFT WHERE APPLICABLE MUST REMAIN WITHIN DIMENSIONS	THIRD ANGLE PROJECTION	DRAWING	SERIES	MATERIAL NUMBER	CUSTOMER	SHEET NUMBER	
		A2-SIZE	172647	SEE CHART	GENERAL MARKET	1 OF 1	

DOCUMENT STATUS	RELEASE DATE
-----------------	--------------