

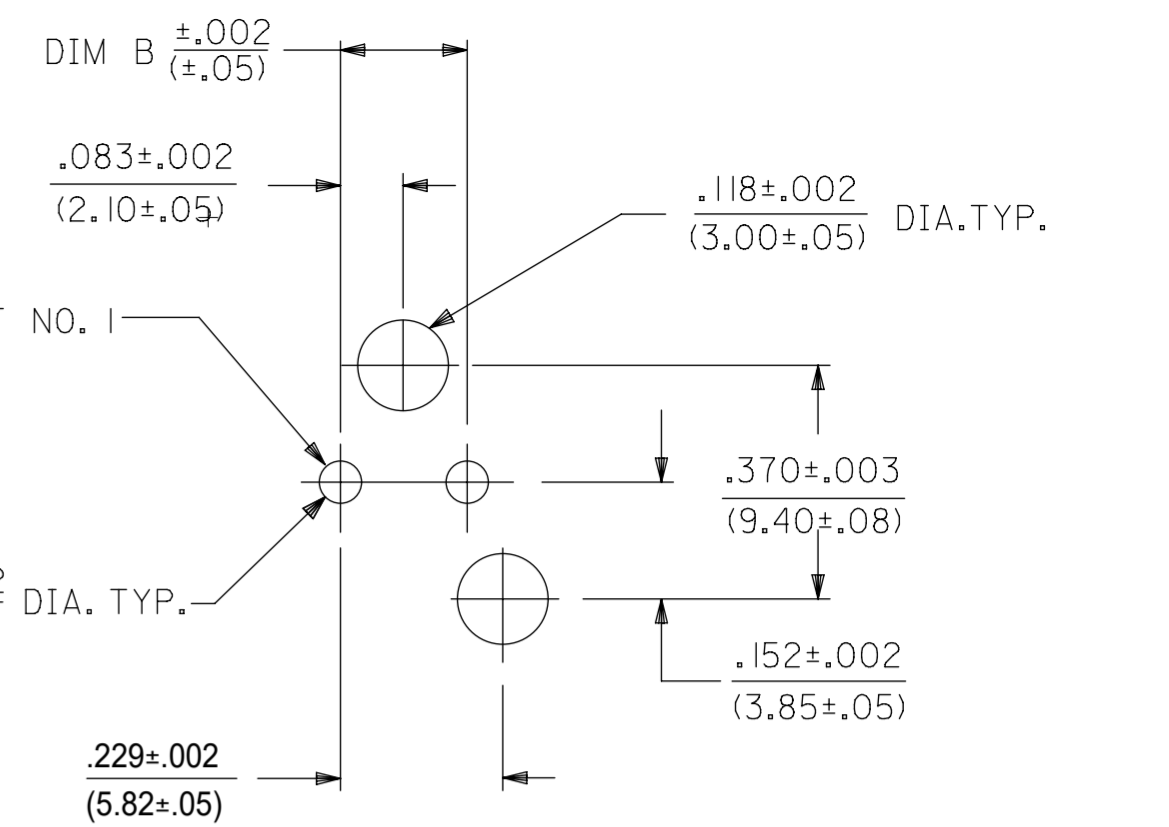
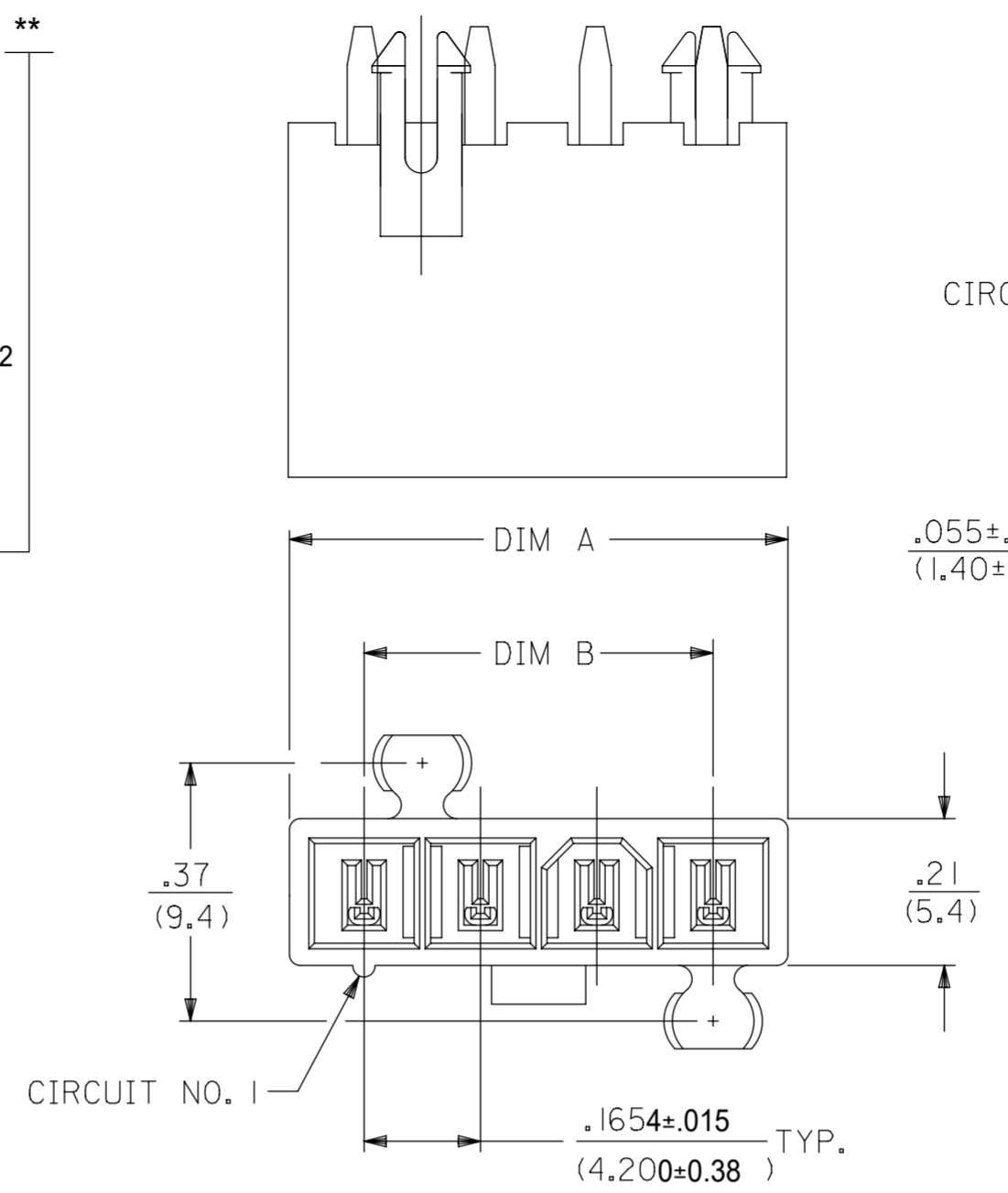
- NOTES:
- MATERIALS:**
HOUSING:
 NYLON, UL94 V-2, COLOR: SEE CHARTS, IEC 60335-1, 5th EDITION GLOW WIRE CAPABLE
 NYLON, UL94 V-0, COLOR: SEE CHARTS, IEC 60335-1, 5th EDITION GLOW WIRE CAPABLE
TERMINALS:
 BRASS
 - TERMINAL PLATING:**
 GOLD = .000030/(0.00076) MIN. SELECT GOLD AND .000100/(0.00254) MIN. SELECT MATTE TIN OVER .000050/(0.00127) MIN. NICKEL OVERALL
 TIN = .000100/(0.00254) MIN. MATTE TIN OVER .000050/(0.00127) MIN. NICKEL
 - PRODUCT SPECIFICATION:** PS-5556-001
 - PACKAGING:** TRAY PACKED PER PK-5566-002
 - PART MATES WITH MINI-FIT JR. RECEPTACLE NO. 46994.**
 - 5 CIRCUIT PARTS HAVE PEG DESIGN B. ALL OTHER CIRCUIT SIZES HAVE PEG DESIGN A.**
 - PART IS NOT DESIGNED FOR CURRENT SHARING.**
 - PARTS ARE NOT DESIGNED TO BE MATED OR UN-MATED WHILE CIRCUITS ARE LIVE.**
 - PART CONFORMS TO CLASS "B" REQUIREMENTS OF COSMETIC SPECIFICATION PS-45499-002 WITH THE EXCEPTION OF DISCOLORATION, FLASH AND SINK ON THE HOUSING MEET CLASS "C" REQUIREMENTS.**

172647 - * * **

PLATING
SEE NOTE 2
0 = TIN
1 = GOLD

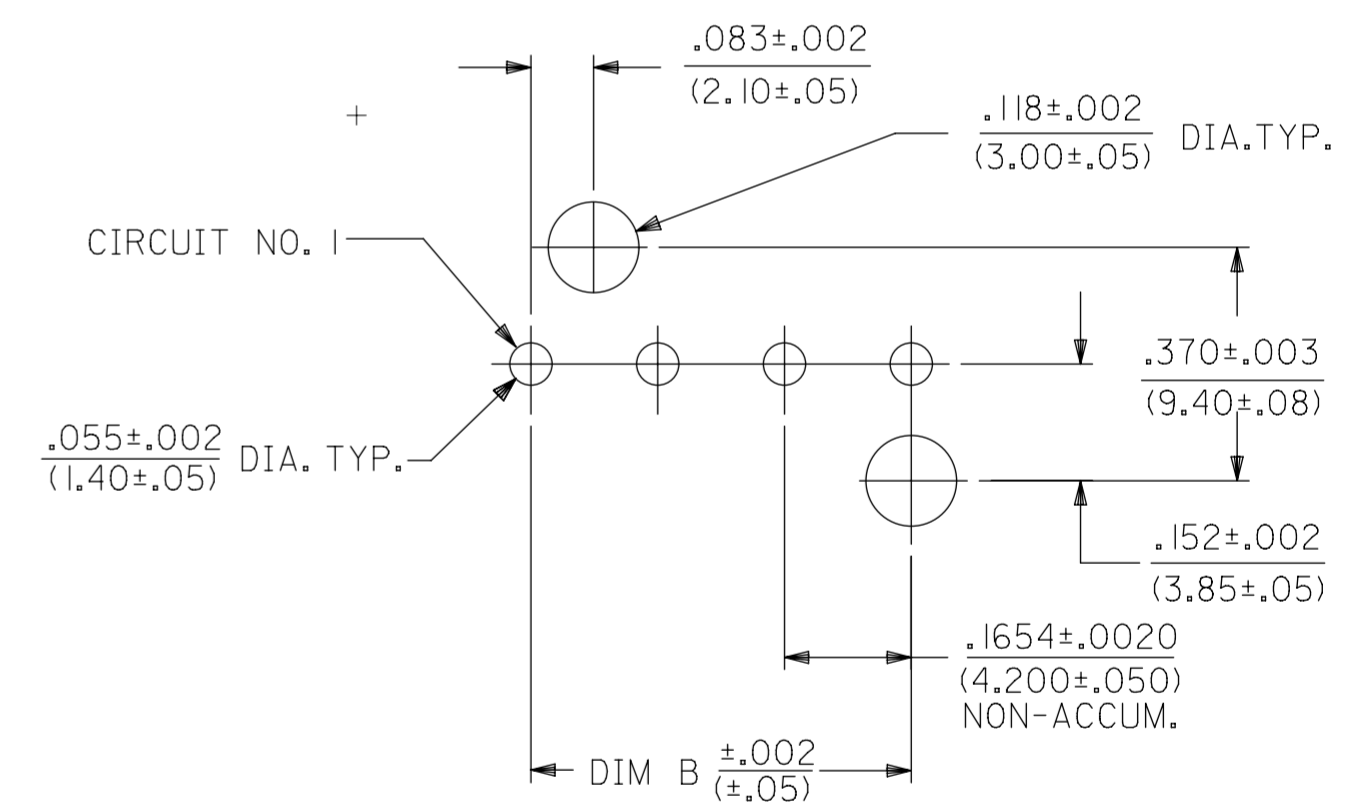
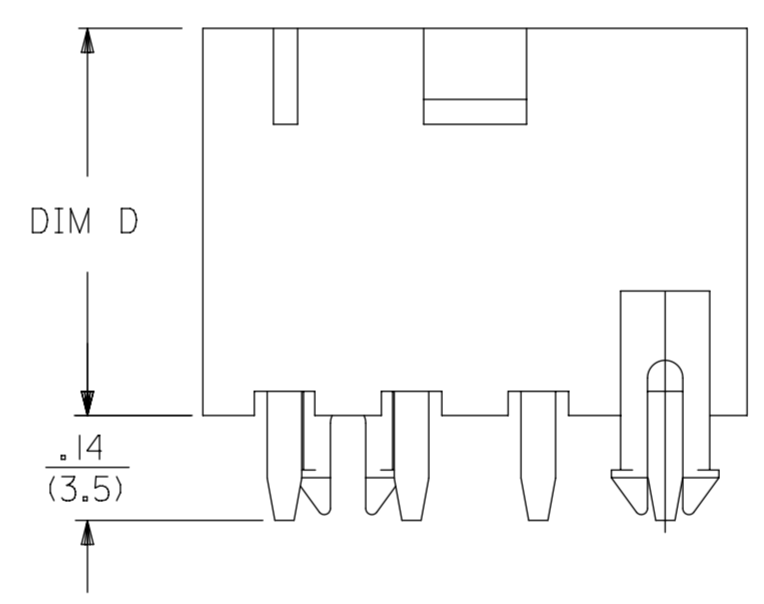
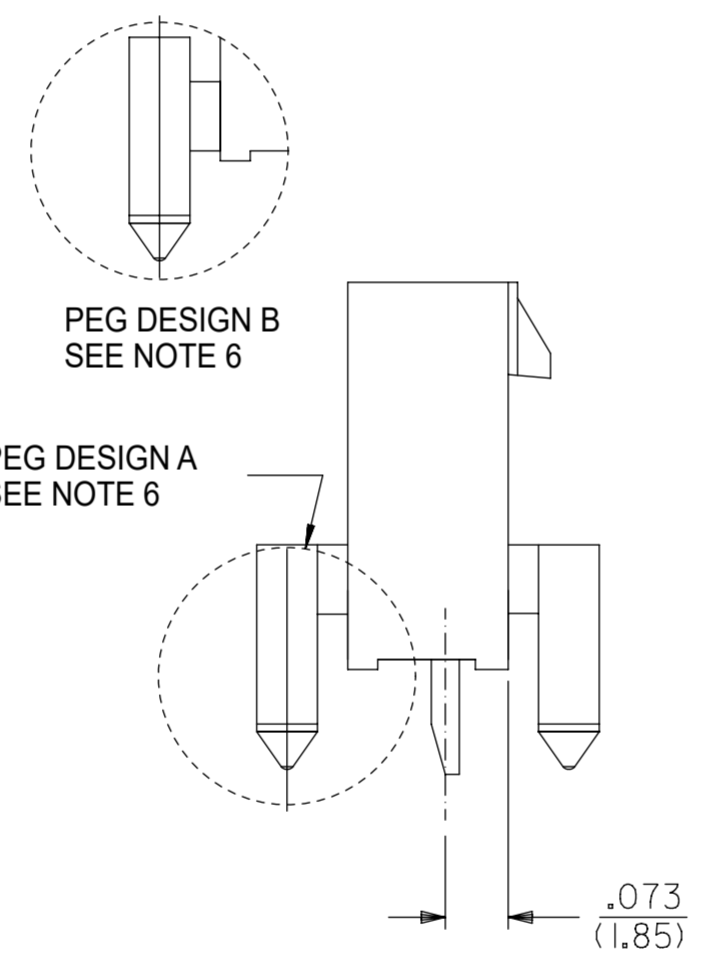
ASSEMBLY TYPE
0 = SINGLE ROW W/ PEGS
COLOR = NATURAL (BEIGE) /UL94 V-2
1 = SINGLE ROW W/ PEGS
COLOR = BLACK / UL94 V-2
2 = SINGLE ROW W/ PEGS
COLOR = BLACK / UL94 V-0

CIRCUIT SIZE

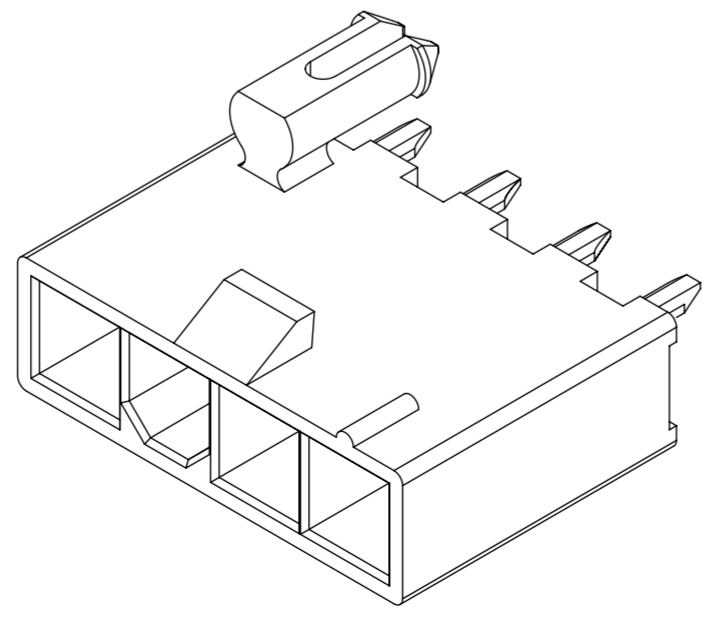


RECOMMENDED HOLE LAYOUT FOR
.070/(1.78) MAX. THICK P. C. BOARD
VIEWED FROM COMPONENT SIDE
2 CIRCUIT PARTS

PART NUMBER	CKT SIZE	PLATING SEE NOTE 2	COLOR
172647-0002	2	TIN	NATURAL(BEIGE) UL94V-2
172647-0003	3		
172647-0004	4		
172647-0005	5		
172647-0006	6		
172647-1002	2		
172647-1003	3		
172647-1004	4		
172647-1005	5		
172647-1006	6		
172647-0102	2	TIN	BLACK UL94 V-2
172647-0103	3		
172647-0104	4		
172647-0105	5		
172647-0106	6		
172647-1102	2		
172647-1103	3		
172647-1104	4		
172647-1105	5		
172647-1106	6		
172647-0202	2	TIN	BLACK UL94 V-0
172647-0203	3		
172647-0204	4		
172647-0205	5		
172647-0206	6		
172647-1202	2		
172647-1203	3		
172647-1204	4		
172647-1205	5		
172647-1206	6		



RECOMMENDED HOLE LAYOUT FOR
.070/(1.78) MAX. THICK P. C. BOARD
VIEWED FROM COMPONENT SIDE
3-6 CIRCUIT PARTS



CKT SIZE	DIM A	DIM B	DIM D
2	.38 (9.6)	.165 (4.20)	.50 (12.8)
3	.54 (13.8)	.331 (8.40)	.49 (12.5)
4	.71 (18.0)	.496 (12.60)	.50 (12.8)
5	.87 (22.2)	.661 (16.80)	.50 (12.8)
6	1.04 (26.4)	.827 (21.00)	.50 (12.8)

DOCUMENT STATUS	RELEASE DATE

THIS DRAWING CONTAINS INFORMATION THAT IS PROPRIETARY TO MOLEX ELECTRONIC TECHNOLOGIES, LLC AND SHOULD NOT BE USED WITHOUT WRITTEN PERMISSION

DIMENSION UNITS INCH/MM	SCALE NTS	CURRENT REV DESC:	molex			
GENERAL TOLERANCES (UNLESS SPECIFIED)						
ANGULAR TOL ± 0.5°		EC NO: 777582	MINI-FIT VERT HDR ASSY W/ PEGS SINGLE ROW			
4 PLACES ±		DRWN: JERRYW8 2024/02/20				
3 PLACES ±		CHK'D: XQZHANG 2024/02/22	PRODUCT CUSTOMER DRAWING			
2 PLACES ± 0.38		APPR: XQZHANG 2024/02/22				
1 PLACE ± 0.5		INITIAL REVISION:	DOCUMENT NUMBER	DOC TYPE	DOC PART	REVISION
0 PLACES ±		DRWN: NNGUYEN 2014/04/22	SD-172647-0000	PSD	001	A4
		APPR: FSMITH 2014/05/16				
DRAFT WHERE APPLICABLE MUST REMAIN WITHIN DIMENSIONS	THIRD ANGLE PROJECTION	DRAWING	SERIES	MATERIAL NUMBER	CUSTOMER	SHEET NUMBER
		A2-SIZE	172647	SEE CHART	GENERAL MARKET	1 OF 1