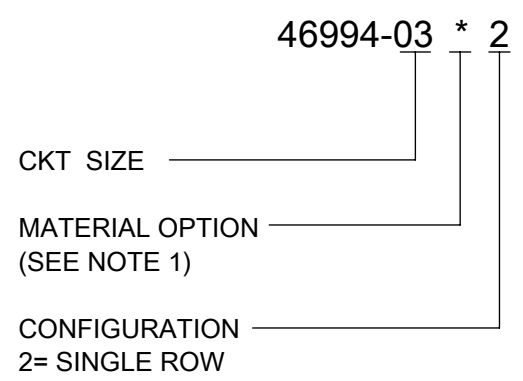
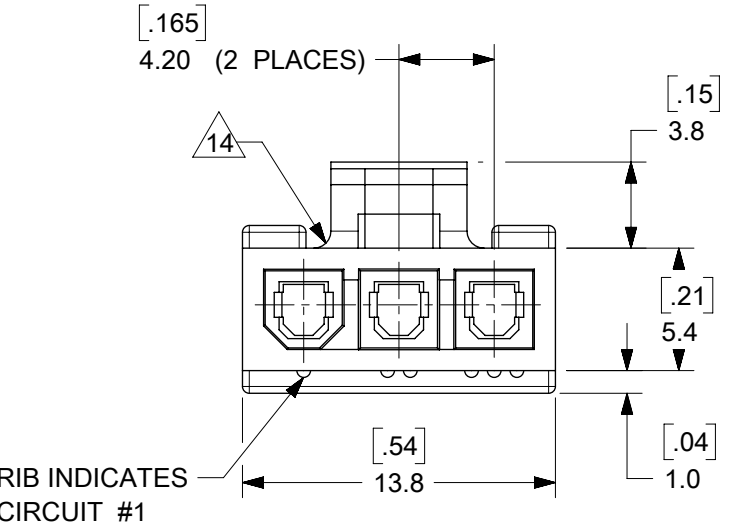
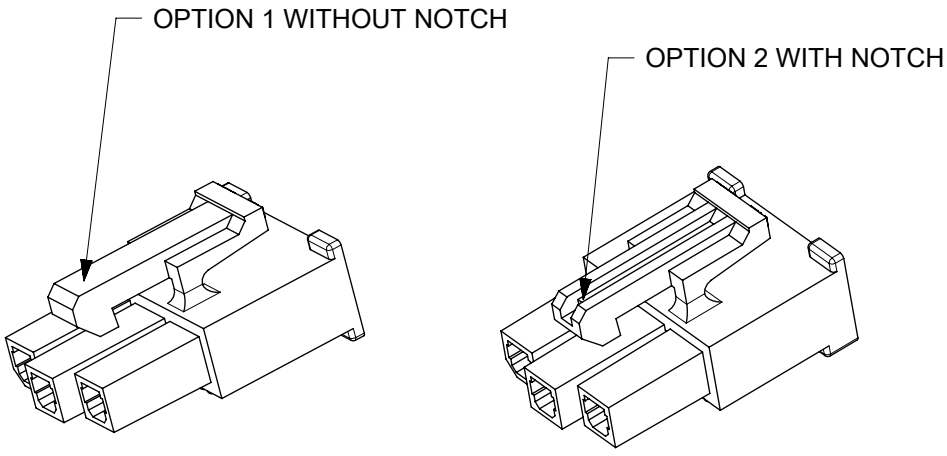
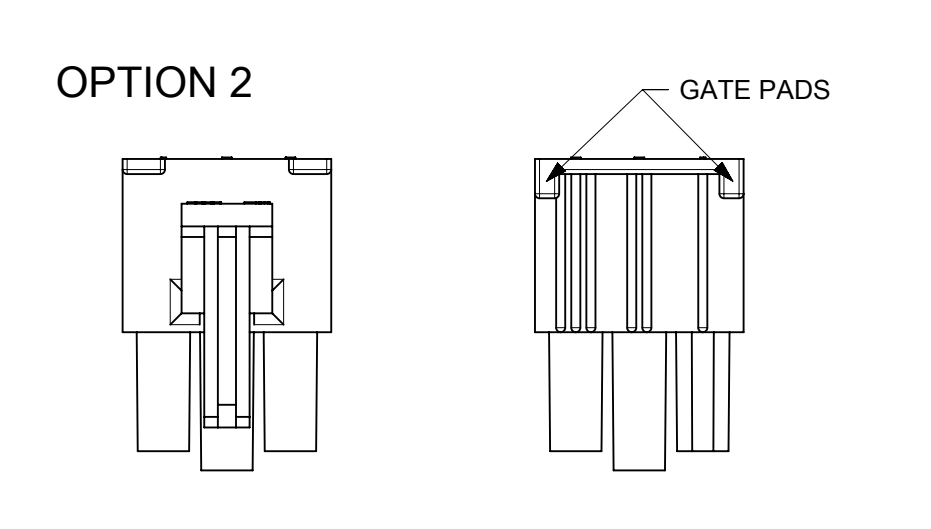
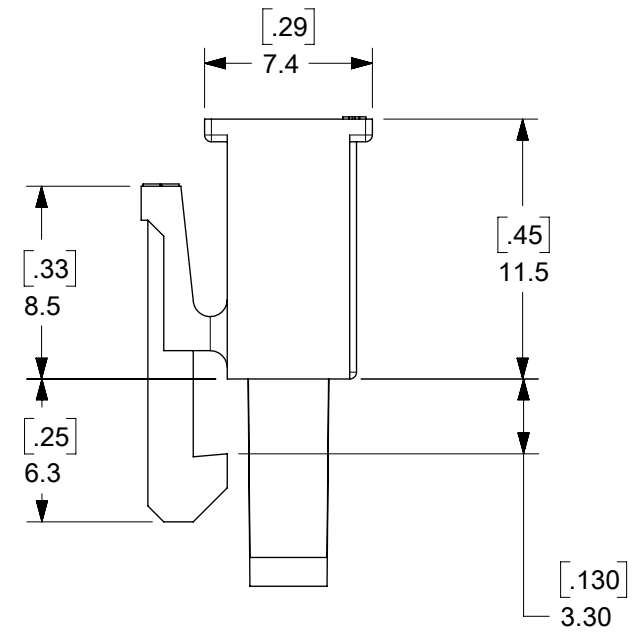
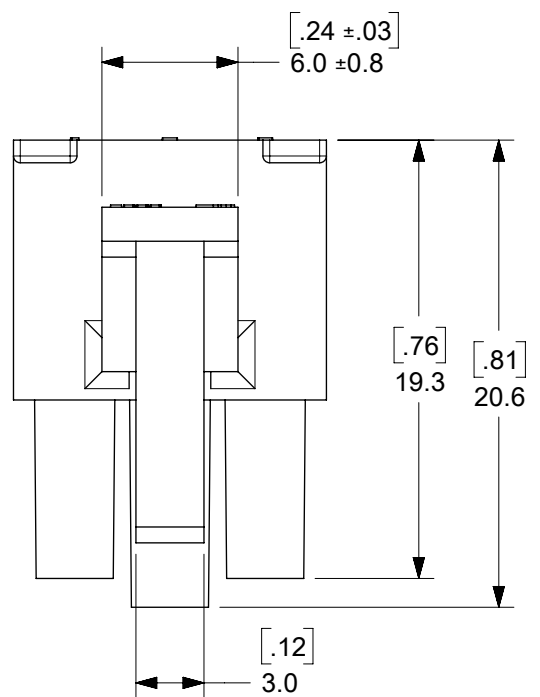
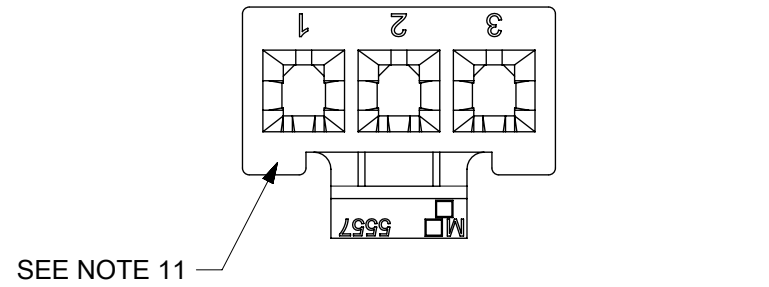


PART NO.	ENG. NO.	CKT SIZE	MATERIAL (SEE NOTE 1)
50-29-1662	46994-0312	3	UL 94V-2,BLACK
46994-0302	46994-0302	3	UL 94V-2,BEIGE

LEGEND



- NOTES:**
- MATERIAL:**
 "0"=NYLON, UL94V-2, COLOR :NATURAL (BEIGE);
 IEC 60335-1, 5th EDITION GLOW WIRE CAPABLE.
 "1"=NYLON, UL94V-2, COLOR:BLACK;
 IEC 60335-1, 5th EDITION GLOW WIRE CAPABLE.
 - FINISH:** NOT APPLICABLE.
 - PRODUCT SPECIFICATION:** PS-5556-001.
 - PACKING:** PK-5557-002.
 - PART MATES WITH MOLEX RIGHT ANGLE HEADER #172648-**03, VERTICAL HEADER #172647-**03 AND PLUG #172646-03**.**
 - PART TO BE USED WITH MOLEX FEMALE TERMINAL #5556.**
 - WHEN MATING WITH ANOTHER CONNECTOR, THE CENTER CIRCUIT WILL "MAKE FIRST AND BREAK LAST".**
 - PART IS NOT DESIGNED FOR CURRENT SHARING.**
 - CONNECTOR ASSEMBLIES ARE NOT TO BE MATED OR UNMATED WHILE CIRCUITS ARE LIVE.**
 - WIRES ARE TO BE DRESSED IN SUCH A MANNER TO ALLOW THE TERMINALS TO FLOAT FREELY IN THE POCKET.**
 - "MX" FACTORY ID MAY BE LOCATED ON LATCH OR SURFACE INDICATED. CAVITY NO. MAY BE LOCATED ON EITHER SIDE OF SERIES NO. ON LATCH.**
 - PART CONFORMS TO CLASS "B" REQUIREMENTS OF COSMETIC SPECIFICATION PS-45499-002 WITH THE EXCEPTION OF DISCLORATION, FLASH AND SINK MEET CLASS "C" REQUIREMENTS.**
 - BUBBLE IS ACCEPTABLE ON LATCH AREA.**
 - THIS RADIUS MAY OR MAY NOT APPEAR ON HOUSING.**



BOTH STRUCTURES ARE ACCEPTABLE.

THIS DRAWING CONTAINS INFORMATION THAT IS PROPRIETARY TO MOLEX ELECTRONIC TECHNOLOGIES, LLC AND SHOULD NOT BE USED WITHOUT WRITTEN PERMISSION									
DIMENSION UNITS: mm		SCALE: NTS		CURRENT REV DESC:				molex	
GENERAL TOLERANCES (UNLESS SPECIFIED)		ANGULAR TOL ± 0.5°		EC NO: 728295					
4 PLACES ±		3 PLACES ±		2 PLACES ± 0.25		1 PLACE ± 0.38		0 PLACES ±	
DRAFT WHERE APPLICABLE MUST REMAIN WITHIN DIMENSIONS		THIRD ANGLE PROJECTION		DRAWING: B-SIZE		SERIES: 46994		MATERIAL NUMBER: SEE CHART	
DOCUMENT STATUS: P1		RELEASE DATE: 2024/02/28 06:24:29		DRWN: JERRYW8		2023/12/21		DOC TYPE: PSD	
				CHKD: XQZHANG		2024/02/28		DOC PART: 001	
				APPR: XQZHANG		2024/02/28		REVISION: A4	
				INITIAL REVISION:		2013/04/12		DOCUMENT NUMBER: SD-46994-0001	
				DRWN: NNGUYEN		2014/07/28		CUSTOMER: GENERAL MARKET	
				APPR: FSMITH				SHEET NUMBER: 1 OF 1	